



LOW VOLTAGE CURRENT TRANSFORMERS SW"R" - SERIES

TECHNICAL INFORMATION



Current transformers for low voltage series SW"R"

General description and data			Page 5
Tube unit current transformers			
for round conductors up to Ø 21,0 / 28,0 mm	40 - 600 A	RSWR / RSWR 28	Page 11
Plug-in current transformers			
for busbars 30x10 / 30x15 mm	50 - 750 A	SWR 3010 / SWR-L 3010	Page 12
for busbars 30x10 mm	40 - 300 A	SWR-S 3010	Page 14
for busbars 40x10 / 40x12 mm	60 - 1000 A	SWR 4010 / SWR-L 4010	Page 16
for busbars 40x10 / 40x12 mm	60 - 1000 A	SWR-K 4010 / SWR-S 4010	Page 18
for busbars 50x12 / 2x40x10 mm	150 - 1500 A	SWR-S 5010 / SWR 5010	Page 20
for busbars 60x15 / 2x50x10 mm	200 - 2500 A	SWR-S 6010 / SWR 6010	Page 22
for busbars 60x40 mm	200 - 2000 A	SWR 6040	Page 24
for busbars 80x15 / 2x80x10 mm	400 - 2500 A	SWR 8010 / SWR 8030	Page 25
for busbars 2x100x10 / 3x100x12 mm	400 - 4000 A	SWR 10030 / SWR 10056	Page 26
for busbars 2x120x10 / 4x120x10 mm	400 - 6000 A	SWR 12030 / SWR 12070	Page 28
for busbars 3x140x10 mm	1000 - 7000 A	SWR 14050	Page 30
Wound primary current transformers			
for direct connection, CT width 60 mm	1 - 40 A	WSR 60	Page 31
Summary current transformers			
Description summary current transformers			Page 32
for summation of 2 up to 9 circuits	1 - 5 A	SSWR 2 bis 9	Page 33
Split core current transformers			
for round conductors up to Ø 18 mm / Ø 28 mm	50 - 500 A	SWUR 18 / SWUR 28	Page 34
for round conductors up to Ø 42 mm	400 - 800 A	SWUR 42	Page 35
Accessories current transformers			
Accessories overview for accessories	all types		Page 36
Dimensions current transformers			
Dimensional drawings	all types		from Page 37

1 Measuring transducers

2 Mains and limit monitoring

3 Energy meters

4 Panel meters digital

5 Panel meters analog

6 Meas. instruments for top hat rail mounting

7 Universal measuring instruments

8 Current transformers SW"R"-series

9 Shunts

10 Test apparatus

General description current transformers



Application

Current transformers mainly are used where it is impossible or difficult to measure currents directly. They are special configurations of transformers which transform the primary current into a (mostly) lower secondary current and which separate (galvanically) both currents.

By means of the physical principal of saturation of the core material additional a protection of the secondary circuit from high currents produced in the event of system fault is enable.

The accuracy and safety of the connected devices is directly dependent on the quality of the current transformer used.



Special notes

Rated burden, secondary currents

In the case of current transformers, the rated burden that is made available at the secondary terminals is specified in VA. The selection of the rated burden is determined by the consumption of the connected measuring device and its feed line. In particular with secondary currents of 5 A and a long measuring line, considerable losses occur (see pages 7 and 8). In this case, current transformers with a secondary current of 1 A are preferable.

„Site-winding“ current transformer

With plug-in current transformers, the smaller the CT ratio, the lower the rated burden in VA. By passing through the primary conductor several times, a smaller CT ratio can be achieved with the rated burden (VA) unchanged. Example: CT with a ratio of 50/5 A at 1.5 VA rated burden - after threading the primary conductor 5 times, a CT with a ratio of 10/5 A at 1.5 VA rated burden results. In comparison to wound primary current transformers, this measure enables cost savings to be achieved.

Grounding of secondary terminals

According to VDE 0141, paragraph 5.3.4, current and voltage transformers should be grounded starting from measuring voltages of ≥ 3.6 kV. In case of low voltages (up to a measuring voltage of ≤ 1.2 kV), no grounding is necessary unless the transformer housing has large accessible metal surfaces.

Caution: Current transformers may conduct voltages which are dangerous to touch at the „open“ secondary terminals. Therefore, operating the transformers „open“ should be avoided under all circumstances.



Technical terms

Primary nominal current	Value of the primary current which characterizes the CT and for which it is dimensioned.
Secondary nominal current	Value of the secondary current which characterizes the CT and for which it is dimensioned.
Rated transformation ratio	Ratio of the primary current and secondary current. The ratio of a current transformer is indicated on the label as an unabridged fraction.
Rated burden	The burden is the impedance of the exterior secondary circuit including wires. The rated burden is decisive in determining the error limits of the current transformer. Usual the burden is expressed as its volt-ampere rating.
Load	Impedance of the secondary circuit, expressed in ohms with indication of the power factor.
Nominal burden	Value of the burden on which the accuracy information of the CT is based.
Nominal rated frequency	Value of the frequency on which the rating of the CT is based.
Accuracy class	Information for a current transformer that its measurement deviations under prescribed conditions are within defined limits.
Phase displacement (δ)	Phase displacement is the angle of the phase shift between the secondary and primary current. It is specified in angle minutes and positively calculated if the secondary size goes after the primary one.
Current error	The current error is the deviation of the nominal transmission multiplied by the secondary from that of the primary current. The current error is calculated positively, in the actual value of the secondary current exceeds the nominal value.

1 Measuring transducers

2 Mains and limit monitoring

3 Energy meters

4 Panel meters digital

5 Panel meters analog

6 Meas. instruments for top hat rail mounting

7 Universal measuring instruments

8 Current transformers SW"R"-series

9 Shunts

10 Test apparatus

$$F_i[\%] = \frac{(K_n I_s - I_p) \times 100}{I_p}$$

- F_i = Current error in %
 K_n = Current transformer ratio
 I_s = Actual secondary current, if I_p is under measurement conditions
 I_p = Actual primary current

Total measurement error	The total measurement error is the momentary value of the ratio of the r.m.s. difference from the secondary current multiplied with the transmission to the primary current, referred to the r.m.s. primary current.
Rated limit instrument primary current I_{pl}	is the primary current attached to the excess current limiting factor. In case of CTs for measuring it is defined that the total error is equal to or greater 10% of the secondary current which should appear according to the transmission
Instrument security factor FS	expresses the physical attribute of a CT to go into saturation
Rated continuous thermal current I_{cth}	is the primary continuous current which the CT will operate with, if it is connected to the rated burden without its temperature exceeding specified values.
Rated short time thermal current I_{th}	is the r.m.s. value of the primary current which the CT can withstand for 1 second with short-circuited secondary winding without incurring damage
Rated dynamic current I_{dyn}	is the peak value of the first amplitude of the primary current whose mechanical and electromagnetic impact is resisted by the transformer with short-circuited secondary winding.



Technical data

General data	Standards	DIN EN 60044-1, DIN 42 600, IEC 185, DIN EN 61 010 part 1
	Max. operating voltage	0,72 kV, Types CSW and XCSW 1,2 kV
	Test voltage	3 kV, Types CSW and XCSW 6 kV
	Rated frequency	50 / 60 Hz, 16 2/3 and 400 Hz on request
	Instrument security factor	FS5 up to 1500 A, FS10 from 1600 A and above
	Rated cont. thermal current I_{cth}	1,0 x IN, Types CSW and XCSW 1,2 x IN
	Rated short time thermal current I_{th}	60 x IN (1 s), max. 100 kA
	Rated dynamic current I_{dyn}	40 x IN (1 s), max. 100 kA at wound primary and summary CTs
	Rated dynamic current I_{dyn}	2,5 x I_{th}
	Operating temperature	-5 °C to +50 °C
	Storage temperature	-25 °C to +70 °C
	Insulation class	E
	Housing	Polycarbonate black or grey, acc. to UL 94 V 0, self extinguishing
	Connection	Combi-screws M5 x 10 on the secondary terminals

Marking of terminals for current transformers

The terminals for current transformers have standardized markings. These are in detail:

- For the primary terminals: **K - P1** and **L - P2**, the direction of energy is always from K-P1 to L-P2!
 For the secondary terminals: **k - s1** und **l - s2** (in lower case)

In case of summary CTs with several input circuits, the usual terminal markings „K“ and „L“ are preceded by the capital letters „A“, „B“, „C“ ... This serves to clearly differentiate the input circuits.

In case of input circuits with different main transformers, the main transformer with the highest transformation ratio is connected to the terminals „AK - AL“ and then in descending order to terminal „BK - BL“ etc.

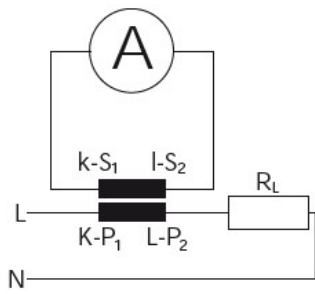
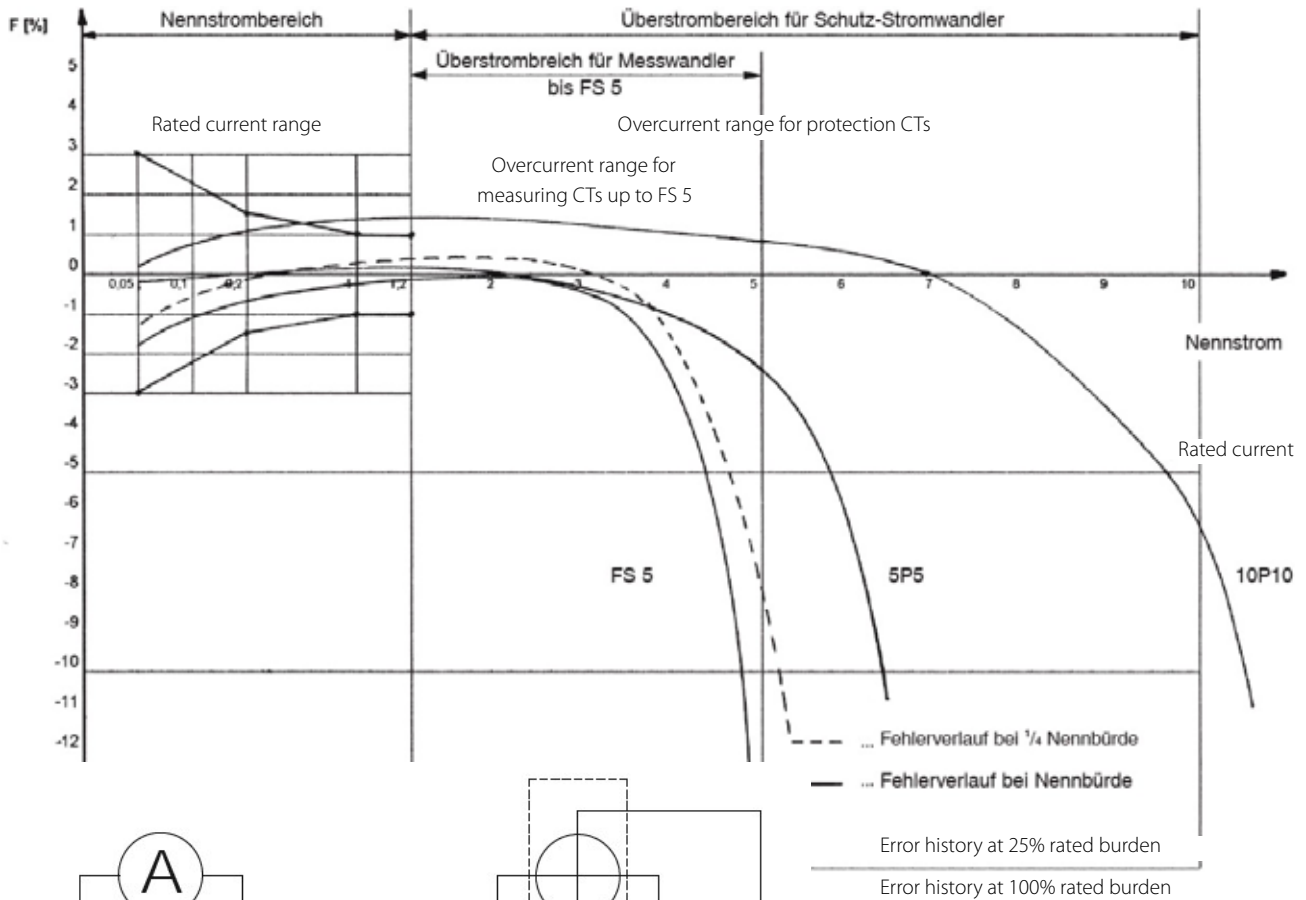
The correct connection assignment can also be found on the rating plate.

Error limits for current transformers

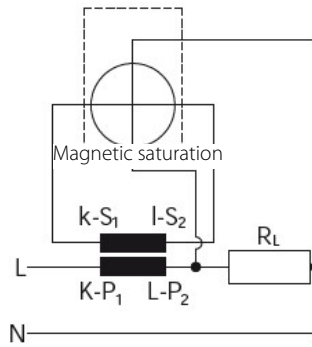
class 0,2 to 3, acc. to IEC 61869/2, version 09/2012

Klassengenauigkeit	Stromfehler $\pm \Delta$, bei					Fehlwinkel $\pm \Delta$, bei				
	$1,2 I_n$	$0,2 I_n$	$0,1 I_n$	$0,05 I_n$	$0,01 I_n$	$1,2 I_n$	$0,2 I_n$	$0,1 I_n$	$0,05 I_n$	$0,01 I_n$
	$1,0 I_n$	%	%	%	%	min	min	min	min	min
0,2	0,2	0,35		0,75		10	15		30	
0,2s	0,2	0,2		0,35	0,75	10	10		15	30
0,5	0,5	0,75		1,5		30	45		90	
0,5s	0,5	0,5		0,75	1,5	30	30		45	90
1	1	1,5		3		60	90		180	
3	3*									

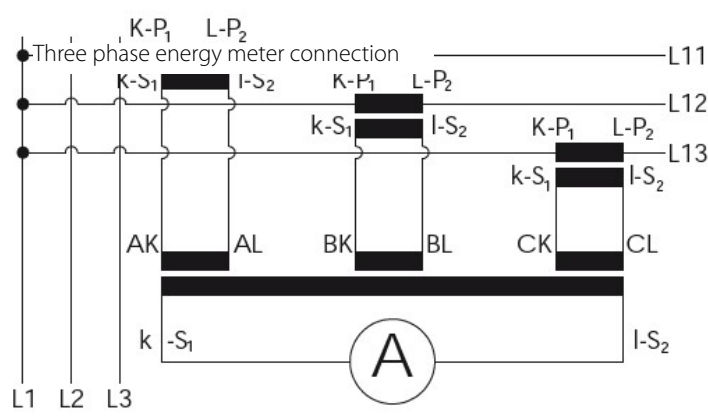
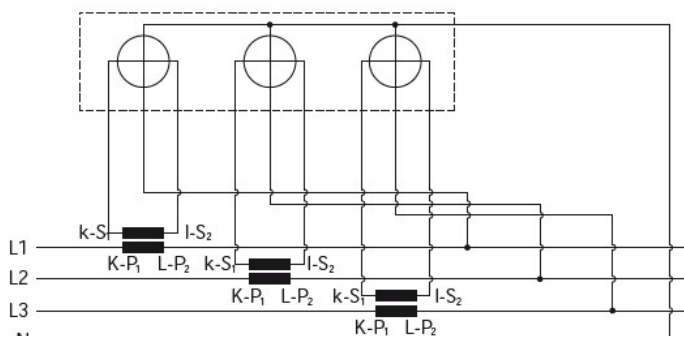
* bei $0,5 I_n$ und thermischem Nenn-Dauerstrom



Measuring connection



Single phase energy meter connection



relays

Summenwandler-Schaltung

- high measurement accuracy in the nominal current range
- protectiv function in the overcurrent range

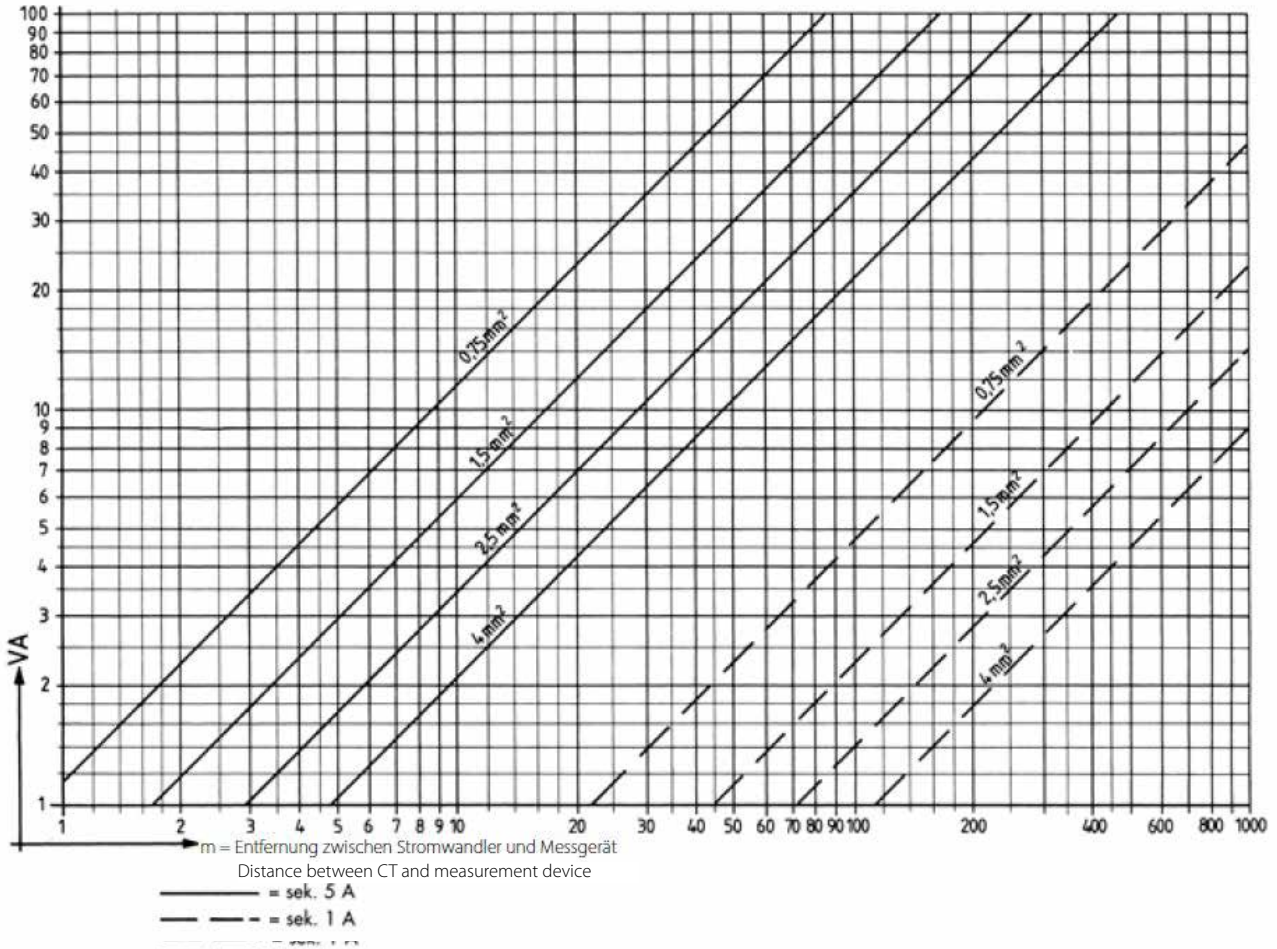
Connection of summary CTs

In order to meet these requirements, it is necessary that the range of services (the nominal apparent power) of the current transformer is adapted as close as possible to the actual power requirement of the measuring arrangement. To determine the actual power requirement, in addition to the internal power requirement of the connected measuring devices, the line losses of the measuring lines connected to the secondary circuit of the converter must also be taken into account.

Internal power requirement of typical measuring devices

Moving iron current meter 100 mm	0,700	-	1,50 VA
Moving coil current meter with rectifier	0,001	-	0,25 VA
Multiple current meter	0,005	-	5,00 VA
Current recorder	0,300	-	9,00 VA
Bimetall current meter	2,500	-	3,00 VA
Power meter	0,200	-	5,00 VA
Power recorder	3,000	-	12,00 VA
Power factor meter	2,000	-	6,00 VA
Power facotr recorder	9,000	-	16,00 VA
Energy meter	0,400	-	1,00 VA
N-Relay			14,00 VA
Overcurrent relay	0,200	-	6,00 VA
Overcurrent time relay	3,000	-	6,00 VA
Directional relay			10,00 VA
Bimetall relay	7,000	-	11,00 VA
Distance relay	1,000	-	30,00 VA
Differential relay	0,200	-	2,00 VA
Current transformer trip switch	5,000	-	150,00 VA
Regulator	5,000	-	180,00 VA

Auxiliary diagram for determining the power loss (secondary line)



Outside dimensions of cables and wires

Depending on the manufacturer, the diameters can differ from the information!

Cross section	Type NYM..	Type NYJ..	Type H07V-K
1 x 1,5 mm ²	5,2 mm	-	3,4 mm
1 x 2,5 mm ²	6,0 mm	-	4,1 mm
1 x 4 mm ²	6,7 mm	-	4,8 mm
1 x 6 mm ²	7,2 mm	-	5,3 mm
1 x 10 mm ²	8,6 mm	-	6,8 mm
1 x 16 mm ²	9,6 mm	-	8,1 mm
1 x 25 mm ²	12,5 mm	13,0 mm	10,2 mm
1 x 35 mm ²	-	14,0 mm	11,7 mm
1 x 50 mm ²	-	15,0 mm	13,9 mm
1 x 70 mm ²	-	17,0 mm	16,0 mm
1 x 95 mm ²	-	-	18,2 mm
1 x 120 mm ²	-	21,0 mm	20,2 mm
1 x 150 mm ²	-	-	22,5 mm
1 x 185 mm ²	-	25,0 mm	24,9 mm
1 x 240 mm ²	-	-	28,4 mm

1 Measuring transducers

2 Mains and limit monitoring

3 Energy meters

4 Panel meters digital

5 Panel meters analog

6 Meas. instruments for top hat rail mounting

7 Universal measurement instruments

8 Current transformers SW"R"-series

9 Shunts

10 Test apparatus



Tube unit current transformer

for round conductors up to 21 / 28 mm

RSWR 21 / RSWR 28

Primary current 40 - 600 A



Dimensions
Page 38

Type RSWR 21

Width	44 mm
Depth	30 mm
Busbar size	--
Round cond.	Ø 21 mm

Accessories incl. Foot fastening brackets
secondary terminal cover

Weight approx. 200 g
also possible in class 0,2; 0,2S und 0,5S

Type RSWR 28

Width	60 mm
Depth	35 mm
Busbar size	30 x 10 mm
Round cond.	Ø 28 mm

Accessories incl. Foot fastening brackets
secondary terminal cover

Weight approx. 300 g



Types and variants

Primary current in A	VA	class 1		class 0,5		class 1		class 0,5	
		net € sec. 5 A	net € sec. 1 A	net € sec. 5 A	net € sec. 1 A	net € sec. 5 A	net € sec. 1 A	net € sec. 5 A	net € sec. 1 A
40	1	X*	X*	-	-	-	-	-	-
50	1	X	X	-	-	-	-	-	-
60	1,25	X	X	-	-	X	X	-	-
75	1,25	X	-	-	-	X	X	-	-
	2,5	X	X	-	-	-	-	-	-
80	1,25	-	-	-	-	X	X	-	-
	2,5	X	X	-	-	-	-	-	-
100	1	-	-	X	X	-	-	-	-
	1,25	-	-	-	-	X	X	X	X
	1,5	-	-	X	-	-	-	-	-
	2,5	X	X	-	-	X	X	-	-
125	1	-	-	X	X	-	-	-	-
	1,25	-	-	-	-	-	-	X	X
	2,5	X	X	-	X	X	X	-	-
	3,75	X	X	-	-	X	X	-	-
150	2,5	X	X	X	X	X	X	X	X
	5	X	X	-	-	X	X	-	-
200	2,5	X	X	X	X	X	X	X	X
	5	X	X	X	X	X	X	X	X
	7,5	X	-	-	-	X	X	-	-
250	2,5	X	X	X	X	X	X	X	X
	5	X	X	X	X	X	X	X	X
	7,5	X	X	X	X	-	-	X	X
	10	-	-	-	-	X	X	-	-
300	2,5	X	X	X	X	X	X	X	X
	5	X	X	X	X	X	X	X	X
	10	X	-	-	-	X	X	X	X
400	2,5	X	X	X	X	X	X	X	X
	5	X	X	X	X	X	X	X	X
	7,5	X	X	X	X	-	-	-	-
	10	-	-	-	-	X	X	X	X
500	2,5	X	-	X	-	-	-	-	-
	5	X	-	X	-	X	X	X	X
	10	X	-	X	-	X	X	X	X
	15	-	-	-	-	X	X	X	X
600	5	-	-	-	-	X	X	X	X
	10	-	-	-	-	X	X	X	X
	15	-	-	-	-	X	X	X	X

* class 3 only!!!

Accessories: see page 36

1 Measuring transducers

2 Mains and limit monitoring

3 Energy meters

4 Panel meters digital

5 Panel meters analog

6 Meas. instruments for top hat rail mounting

7 Universal measurement ring instruments

8 Current transformers SW"R"-series

9 Shunts

10 Test apparatus



Plug-in current transformers

for busbars 30 x 10 (15) mm

SWR 3010 / SWR-L 3010

Primary current 50 - 250 A



Dimensions page 38

Type SWR 3010

Width	60 mm
Depth	30 mm
Busbar size	30 x 10 (15) mm
Round cond.	Ø 28 mm

Accessories incl. foot fastening brackets
busbar fixing material
secondary terminal cover

Weight approx. 300 g
also possible in class 0,2; 0,2S und 0,5S

Type SWR-L 3010

Width	70 mm
Depth	35 mm
Busbar size	30 x 10 mm
Round cond.	Ø 23 mm

Accessories incl. foot fastening brackets
busbar fixing material
secondary terminal cover

Weight approx. 400 g
also possible in class 0,2; 0,2S und 0,5S



Types and variants

Primary current in A	VA	class 1		class 0,5		class 1		class 0,5	
		net € sec. 5 A	net € sec. 1 A	net € sec. 5 A	net € sec. 1 A	net € sec. 5 A	net € sec. 1 A	net € sec. 5 A	net € sec. 1 A
50	1	X*	X*	-	-	-	-	-	-
60	1	X*	X*	-	-	-	-	-	-
	1,25	-	-	-	-	X	X	-	-
75	1	X	-	-	-	-	-	-	-
	1,25	-	X	-	-	-	-	-	-
	2,5	-	-	-	-	X	X	-	-
80	1,25	X	-	-	-	-	-	-	-
	1,5	-	X	-	-	-	-	-	-
	2,5	-	-	-	-	X	X	-	-
100	1,25	-	-	-	X	-	-	X	-
	2,5	X	X	-	-	-	-	-	-
	3,75	-	-	-	-	X	X	-	-
125	1,25	-	-	-	X	-	-	-	-
	2,5	X	X	-	-	-	-	X	X
	3,75	X	X	-	-	-	-	-	-
	5	-	-	-	-	X	X	-	-
150	2,5	X	X	X	X	-	-	X	X
	3,75	X	X	-	-	-	-	X	X
	5	X	-	-	-	X	X	-	-
	10	-	-	-	-	X	X	-	-
200	2,5	X	X	X	X	-	-	-	-
	3,75	-	-	-	X	-	-	-	-
	5	X	X	-	-	-	-	X	X
	7,5	-	-	-	-	-	-	X	X
	10	-	-	-	-	X	X	-	-
	15	-	-	-	-	X	X	-	-
250	2,5	X	X	X	X	-	-	-	-
	5	X	X	X	X	-	-	X	X
	7,5	X	X	X	-	-	-	-	-
	10	-	-	-	-	X	X	X	X
	15	-	-	-	-	X	X	-	-

* class 3 only!!!

Accessories: see page 36



Plug-in current transformers

for busbars 30 x 10 (15) mm

SWR 3010 / SWR-L 3010

Primary current 300 - 750 A



Dimensions
page 38

Type SWR 3010

Width	60 mm
Depth	30 mm
Busbar size	30 x 10 (15) mm
Round cond.	Ø 28 mm

Accessories incl. foot fastening brackets
busbar fixing material
secondary terminal cover

Weight approx. 300 g
also possible in class 0,2; 0,25 und 0,55

Type SWR-L 3010

Width	70 mm
Depth	35 mm
Busbar size	30 x 10 mm
Round cond.	Ø 23 mm

Accessories incl. foot fastening brackets
busbar fixing material
secondary terminal cover

Weight approx. 400 g
also possible in class 0,2; 0,25 und 0,55



Types and variants

Primary current in A	VA	class 1		class 0,5		class 1		class 0,5	
		net € sec. 5 A	net € sec. 1 A	net € sec. 5 A	net € sec. 1 A	net € sec. 5 A	net € sec. 1 A	net € sec. 5 A	net € sec. 1 A
300	2,5	X	X	X	X	-	-	-	-
	5	X	X	X	X	-	-	-	-
	7,5	X	X	X	X	-	-	-	-
	10	X	-	-	-	X	X	X	X
	15	-	-	-	-	X	X	X	X
400	5	X	X	X	X	-	-	-	-
	10	X	X	X	X	-	-	-	-
	15	X	-	-	-	X	X	X	X
500	5	X	X	X	X	-	-	-	-
	10	X	X	X	X	-	-	-	-
	15	-	-	-	-	X	X	X	X
	20	-	-	-	-	X	X	X	X
600	5	X	X	X	X	-	-	-	-
	10	X	X	X	X	-	-	-	-
	15	-	-	-	-	X	X	X	X
	20	-	-	-	-	X	X	X	X
	25	-	-	-	-	X	X	X	X
750	5	X	X	X	X	-	-	-	-
	10	X	X	X	X	-	-	-	-
	15	X	-	X	-	-	-	-	-

Accessories: see page 36

1 Measuring transducers

2 Mains and limit monitoring

3 Energy meters

4 Panel meters digital

5 Panel meters analog

6 Meas. instruments for top hat rail mounting

7 Universal measurement instruments

8 Current transformers SW"R"-series

9 Shunts

10 Test apparatus



Plug-in current transformers

for busbars 30 x 10 (15) mm

SWR-S 3010

Primary current 40 - 300 A

Type SWR-S 3010

Width	70 mm
Depth	49 mm
Busbar size	30 x 10 mm
Round cond.	Ø 23 mm

Accessories incl. foot fastening brackets
busbar fixing material
secondary terminal cover

Weight approx. 650 g
also possible in class 0,2; 0,25 und 0,5S

Dimensions
page 38

Types and variants

Primary current in A	VA	class 1		class 0,5	
		net € sec. 5 A	net € sec. 1 A	net € sec. 5 A	net € sec. 1 A
40	1,25	X	X	-	-
	2,5	-	-	-	-
50	1	-	-	X	X
	1,25	X	X	-	-
60	2,5	X	X	-	X
	1	-	-	X	X
75	1,25	X	-	-	-
	2,5	X	X	X	X
	3,75	X	X	-	-
80	1	-	-	X	X
	2,5	X	X	X	X
	5	X	X	-	-
100	1	-	-	X	X
	2,5	X	X	X	X
	5	X	X	X	X
125	7,5	X	X	-	-
	2,5	-	X	X	-
	5	X	X	X	X
	7,5	-	-	X	X
150	10	X	X	-	-
	2,5	-	-	X	-
	5	X	X	X	X
	10	X	X	X	X
200	15	X	X	-	-
	5	-	X	X	X
	10	X	X	X	X
	15	X	-	X	X
250	20	X	X	-	-
	5	-	X	-	X
	10	X	X	X	-
	15	X	-	X	X
300	20	X	X	X	X
	10	X	-	X	-
	15	-	-	X	-
	20	X	-	-	-
	30	X	-	-	-

Accessories: see page 36

1 Measuring transducers
2 Mains and limit monitoring
3 Energy meters
4 Panel meters digital
5 Panel meters analog
6 Meas. instruments for top hat rail mounting
7 Universal measuring instruments
8 Current transformers SWR[®]-series
9 Shunts
10 Test apparatus

Notice

A series of horizontal lines for writing notes.

8 Current transformers SW"R"-series

7 Universal measuring instruments

6 Meas. instruments for top hat rail mounting

5 Panel meters analog

4 Panel meters digital

3 Energy meters

2 Mains and limit monitoring

1 Measuring transducers





Plug-in current transformers

for busbars 40 x 10 (12) mm

SWR 4010 / SWR-L 4010

Primary current 60 - 500 A



Dimensions
page 39

Type SWR 4010

Width	60 mm
Depth	30 mm
Busbar size	40 x 12 / 30 x 30 mm
Round cond.	Ø 33 mm
Accessories incl.	foot fastening brackets busbar fixing material secondary terminal cover
Weight	approx. 200 g

Type SWR-L 4010

Width	70 mm
Depth	30 mm
Busbar size	40 x 12 / 30 x 30 mm
Round cond.	Ø 33 mm
Accessories incl.	foot fastening brackets busbar fixing material secondary terminal cover
Weight	approx. 300 g also possible in class 0,2; 0,25 und 0,55



Types and variants

Primary current in A	VA	class 1		class 0,5		class 1		class 0,5	
		net € sec. 5 A	net € sec. 1 A	net € sec. 5 A	net € sec. 1 A	net € sec. 5 A	net € sec. 1 A	net € sec. 5 A	net € sec. 1 A
60	1,25	-	-	-	-	X*	X*	-	-
75	1,25	-	-	-	-	X*	X*	-	-
80	1,25	-	-	-	-	X	X	-	-
100	2,5	-	-	-	-	X	X	-	-
125	1,25	-	-	-	-	-	-	X	X
	2,5	-	-	-	-	X	X	-	-
150	3,75	-	-	-	-	X	X	-	-
	1	-	-	-	-	-	-	-	X
200	2,5	-	X	-	-	X	X	X	X
	5	-	-	-	-	X	X	-	-
	1,25	X	-	-	X	-	-	-	-
250	2,5	-	X	-	-	X	X	X	X
	3,75	-	-	-	-	-	-	-	X
	5	-	-	-	-	X	X	-	-
	1,25	-	-	-	X	-	-	-	-
300	2	X	X	X	-	-	-	-	-
	2,5	-	-	-	-	X	X	X	X
	5	-	-	-	-	X	X	X	X
	7,5	-	-	-	-	X	X	-	-
	2,5	X	X	X	X	X	X	X	X
400	5	-	-	-	-	X	X	X	X
	7,5	-	-	-	-	X	X	-	X
	2,5	X	X	X	X	X	X	X	X
	3,75	X	X	X	X	-	-	-	-
	5	-	-	-	-	X	X	X	X
500	7,5	-	-	-	-	-	X	-	X
	10	-	-	-	-	X	-	X	-
	2,5	X	X	X	X	X	X	X	X
	5	X	X	X	X	X	X	X	X
	10	-	-	-	-	X	X	X	X

* nur in Klasse 3!!!

Accessories: see page 36



Plug-in current transformers

for busbars 40 x 10 (12) mm

SWR 4010 / SWR-L 4010

Primary current 600 - 1000 A



Dimensions
page 39

Type SWR 4010

Width	60 mm
Depth	30 mm
Busbar size	40 x 12 / 30 x 30 mm
Round cond.	Ø 33 mm

Accessories incl. foot fastening brackets
busbar fixing material
secondary terminal cover

Weight approx. 200 g

Type SWR-L 4010

Width	70 mm
Depth	30 mm
Busbar size	40 x 12 / 30 x 30 mm
Round cond.	Ø 33 mm

Accessories incl. foot fastening brackets
busbar fixing material
secondary terminal cover

Weight approx. 300 g
also possible in class 0,2; 0,2S und 0,5S



Types and variants

Primary current in A	VA	class 1		class 0,5		class 1		class 0,5	
		net € sec. 5 A	net € sec. 1 A	net € sec. 5 A	net € sec. 1 A	net € sec. 5 A	net € sec. 1 A	net € sec. 5 A	net € sec. 1 A
600	1,25	X	-	X	-	-	-	-	-
	2,5	-	X	-	X	X	X	X	X
	5	-	-	-	-	X	X	X	X
	10	-	-	-	-	X	X	X	X
750	2,5	X	X	X	X	X	X	X	X
	5	-	-	-	-	X	X	X	X
	10	-	-	-	-	X	X	X	X
	15	-	-	-	-	X	X	-	-
800	2,5	X	-	X	-	X	X	X	X
	5	-	-	-	-	X	X	X	X
	10	-	-	-	-	X	X	X	X
	15	-	-	-	-	X	X	X	X
1000	5	-	-	-	-	X	X	X	X
	10	-	-	-	-	X	X	X	X
	15	-	-	-	-	-	X	-	X
	20	-	-	-	-	X	-	X	-

Accessories: see page 36

1 Measuring transducers

2 Mains and limit monitoring

3 Energy meters

4 Panel meters digital

5 Panel meters analog

6 Meas. instruments for top hat rail mounting

7 Universal measuring instruments

8 Current transformers SW"R"-series

9 Shunts

10 Test apparatus



Plug-in current transformers

for busbars 40 x 10 (12) mm

SWR-K 4010 / SWR-S 4010

Primary current 60 - 400 A



Dimensions
page 39

Type SWR-K 4010

Width	70 mm
Depth	35 mm
Busbar size	40 x 10 / 30 x 15 mm
Round cond.	Ø 30 mm
Accessories incl.	foot fastening brackets busbar fixing material secondary terminal cover

Weight approx. 350 g
also possible in class 0,2; 0,25 und 0,5S

Type SWR-S 4010

Width	70 mm
Depth	49 mm
Busbar size	40 x 10 / 30 x 15 mm
Round cond.	Ø 30 mm
Accessories incl.	foot fastening brackets busbar fixing material secondary terminal cover

Weight approx. 550 g
also possible in class 0,2; 0,25 und 0,5S



Types and variants

Primary current in A	VA	class 1		class 0,5		class 1		class 0,5	
		net € sec. 5 A	net € sec. 1 A	net € sec. 5 A	net € sec. 1 A	net € sec. 5 A	net € sec. 1 A	net € sec. 5 A	net € sec. 1 A
60	1,25	-	-	-	-	X	X	-	-
75	1,25	X	X	-	-	X	X	-	-
80	1,25	X	X	-	-	-	-	-	-
	2	-	-	-	-	X	X	-	-
100	1,25	X	X	-	-	-	-	-	-
	2,5	X	X	-	-	X	X	-	-
	3,75	-	-	-	-	X	X	-	-
125	1,25	-	-	X	X	-	-	-	-
	2,5	X	X	-	-	X	X	X	X
	3,75	X	X	-	-	-	-	X	X
	5	-	-	-	-	X	X	-	-
150	1,25	-	-	X	X	-	-	-	-
	2,5	X	X	X	X	X	X	X	X
	3,75	-	-	-	-	-	-	X	X
	5	X	X	-	-	X	X	-	-
200	2,5	X	X	X	X	-	-	-	-
	5	X	X	X	X	X	X	X	X
	7,5	X	X	-	-	-	-	X	X
	10	-	-	-	-	X	X	-	-
250	2,5	X	X	X	X	-	-	-	-
	5	X	X	X	-	X	X	X	X
	10	X	-	-	-	X	X	X	X
	15	-	-	-	-	X	X	-	-
300	2,5	X	X	X	X	-	-	-	-
	5	X	X	X	X	X	X	X	X
	7,5	-	X	-	-	-	-	-	-
	10	X	-	-	-	X	X	X	X
	15	-	-	-	-	X	X	X	X
400	2,5	X	X	X	X	-	-	-	-
	5	X	X	X	X	X	X	X	X
	7,5	-	X	-	X	-	-	-	-
	10	X	-	X	-	X	X	X	X
	15	-	-	-	-	X	X	X	X
	20	-	-	-	-	X	-	-	-
	30	-	-	-	-	-	X	-	-

Accessories: see page 36



Plug-in current transformers

for busbars 40 x 10 (12) mm

SWR-K 4010 / SWR-S 4010

Primary current 500 - 1000 A



Dimensions
page 39

Type SWR-K 4010

Width	70 mm
Depth	35 mm
Busbar size	40 x 10 / 30 x 15 mm
Round cond.	Ø 30 mm

Accessories incl. foot fastening brackets
busbar fixing material
secondary terminal cover

Weight approx. 350 g
also possible in class 0,2; 0,25 und 0,55

Type SWR-S 4010

Width	70 mm
Depth	49 mm
Busbar size	40 x 10 / 30 x 15 mm
Round cond.	Ø 30 mm

Accessories incl. foot fastening brackets
busbar fixing material
secondary terminal cover

Weight approx. 550 g
also possible in class 0,2; 0,25 und 0,55



Types and variants

Primary current in A	VA	class 1		class 0,5		class 1		class 0,5	
		net € sec. 5 A	net € sec. 1 A	net € sec. 5 A	net € sec. 1 A	net € sec. 5 A	net € sec. 1 A	net € sec. 5 A	net € sec. 1 A
500	2,5	X	X	X	X	-	-	-	-
	5	X	X	X	X	X	X	X	X
	10	X	X	X	X	X	X	X	X
	15	-	-	-	-	X	X	X	X
	20	-	-	-	-	-	-	X	X
	30	-	-	-	-	X	X	-	-
600	2,5	X	X	X	X	X	X	X	X
	5	X	X	X	X	X	X	X	X
	10	X	X	X	X	X	X	X	X
	20	-	-	-	-	-	-	X	X
	30	-	-	-	-	X	X	-	-
750	5	X	X	X	X	X	X	X	X
	10	X	X	X	X	X	X	X	X
	15	X	X	X	X	X	X	X	X
	30	-	-	-	-	X	X	X	X
800	5	X	X	X	X	X	X	X	X
	10	X	X	X	X	X	X	X	X
	15	X	X	X	X	X	X	X	X
	30	-	-	-	-	X	X	X	X
1000	5	X	X	X	X	X	X	X	X
	10	X	X	X	X	X	X	X	X
	15	X	X	X	X	X	X	X	X
	30	-	-	-	-	X	X	X	X

Accessories: see page 36

1 Measuring transducers

2 Mains and limit monitoring

3 Energy meters

4 Panel meters digital

5 Panel meters analog

6 Meas. instruments for top hat rail mounting

7 Universal measurement ring instruments

8 Current transformers SW"R"-series

9 Shunts

10 Test apparatus



Plug-in current transformers

for busbars 50 x 12 / 2 x 40 x 10 mm

SWR-S 5010 / SWR 5010

Primary current 150 - 600 A



Dimensions
page 39

Type SWR-S 5010

Width	70 mm
Depth	30 mm
Busbar size	50x12 / 2x40x10 mm
Round cond.	Ø 42 mm
Accessories incl.	busbar fixing material secondary terminal cover
Weight	approx. 200 g

Type SWR 5010

Width	85 mm
Depth	30 mm
Busbar size	50x10 / 2x40x10 mm
Round cond.	Ø 42 mm
Accessories incl.	busbar fixing material secondary terminal cover
Weight	approx. 400 g also possible in class 0,2; 0,25 und 0,55



Types and variants

Primary current in A	VA	class 1		class 0,5		class 1		class 0,5	
		net € sec. 5 A	net € sec. 1 A	net € sec. 5 A	net € sec. 1 A	net € sec. 5 A	net € sec. 1 A	net € sec. 5 A	net € sec. 1 A
150	1	-	-	-	-	-	-	X	X
	1,25	X	X	-	-	-	-	-	-
	2,5	-	-	-	-	X	X	-	-
	3,75	-	-	-	-	X	-	-	-
200	1,25	X	X	-	X	-	-	-	-
	2,5	-	-	-	-	X	X	X	X
	5	-	-	-	-	X	X	-	-
	7,5	-	-	-	-	X	-	-	-
250	1,25	-	-	X	X	-	-	-	-
	2,5	X	X	-	-	X	X	X	X
	3,75	-	-	-	-	-	-	-	X
	5	-	-	-	-	X	X	X	-
	7,5	-	-	-	-	X	X	-	-
300	10	-	-	-	-	X	-	-	-
	1,25	-	-	X	-	-	-	-	-
	2,5	X	X	X	X	X	X	X	X
	5	-	-	-	-	X	X	X	X
	7,5	-	-	-	-	-	-	X	X
400	10	-	-	-	-	X	X	-	-
	1,25	X	X	X	X	-	-	-	-
	2,5	-	-	-	-	X	X	X	X
	5	-	-	-	-	X	X	X	X
	10	-	-	-	-	X	X	X	X
500	15	-	-	-	-	X	X	X	X
	1,25	-	-	X	-	-	-	-	-
	2,5	X	X	X	X	-	X	X	X
	5	-	-	-	-	X	X	X	X
	10	-	-	-	-	X	X	X	X
600	15	-	-	-	-	X	-	X	X
	20	-	-	-	-	X	X	-	-
	2,5	X	X	X	X	-	X	-	X
	5	-	-	-	-	X	X	X	X
	10	-	-	-	-	X	X	X	X

Accessories: see page 36



Plug-in current transformers

for busbars 50 x 12 / 2 x 40 x 10 mm

SWR-S 5010 / SWR 5010

Primary current 750 - 1500 A



Dimensions
page 39

Type SWR 5010

Width	85 mm
Depth	30 mm
Busbar size	50x10 / 2x40x10 mm
Round cond.	Ø 42 mm

Accessories incl. busbar fixing material
secondary terminal cover

Weight approx. 400 g
also possible in class 0,2; 0,25 und 0,5S

Type SWR 5010

Wandlerbreite	85 mm
Wandlertiefe	30 mm
Primärleiter	50x10 / 2x40x10 mm
Rundleiter	Ø 42 mm

Zubehör inkl. Fußbefestigungswinkel
Primärleiterbefestigung
Sekundärklemmen-
abdeckung (Schieber)

Gewicht ca. 400 g
auch in Klasse 0,2; 0,25 und 0,5S möglich.
Geeichte Wandler auf Anfrage.



Types and variants

Primary current in A	VA	class 1		class 0,5		class 1		class 0,5	
		net € sec. 5 A	net € sec. 1 A	net € sec. 5 A	net € sec. 1 A	net € sec. 5 A	net € sec. 1 A	net € sec. 5 A	net € sec. 1 A
750	2,5	X	X	X	X	-	-	-	-
	3,75	X	X	X	X	-	-	-	-
	5	-	-	-	-	X	X	X	X
	10	-	-	-	-	X	X	X	X
	15	-	-	-	-	X	X	X	-
800	2,5	X	X	X	X	-	-	-	-
	3,75	X	X	X	X	-	-	-	-
	5	-	-	-	-	X	X	X	X
	10	-	-	-	-	X	X	X	X
	15	-	-	-	-	X	X	-	-
1000	2,5	X	X	X	X	-	-	-	-
	5	X	X	X	X	X	X	X	X
	10	-	-	-	-	X	X	X	X
	15	-	-	-	-	X	X	X	X
	30	-	-	-	-	X	X	X	X
1250	5	-	-	-	-	X	X	X	X
	10	-	-	-	-	X	X	X	X
	15	-	-	-	-	X	X	X	X
	20	-	-	-	-	-	-	X	X
	30	-	-	-	-	X	X	-	-
1500	5	-	-	-	-	X	X	X	X
	10	-	-	-	-	X	X	X	X
	15	-	-	-	-	X	X	X	X
	20	-	-	-	-	-	-	X	X
	30	-	-	-	-	X	X	-	-

Accessories: see page 36

1 Measuring transducers

2 Mains and limit monitoring

3 Energy meters

4 Panel meters digital

5 Panel meters analog

6 Meas. instruments for top hat rail mounting

7 Universal measurement ring instruments

8 Current transformers SW"R"-series

9 Shunts

10 Test apparatus



Plug-in current transformers

for busbars 60 x 15 / 2 x 50 x 10 mm

SWR-S 6010 / SWR 6010

Primary current 200 - 750 A

Dimensions page 40

Type SWR-S 6010

Width	85 mm
Depth	30 mm
Busbar size	60x15/2x50x10 mm
Round cond.	Ø 52 mm
Accessories incl.	busbar fixing material secondary terminal cover

Weight approx. 350 g
also possible in class 0,2; 0,2S und 0,5S

Type SWR 6010

Width	95 mm
Depth	30 mm
Busbar size	60x15/2x50x10 mm
Round cond.	Ø 53 mm
Accessories incl.	busbar fixing material secondary terminal cover

Weight approx. 500 g
also possible in class 0,2; 0,2S und 0,5S



Types and variants

Primary current in A	VA	class 1		class 0,5		class 1		class 0,5	
		net € sec. 5 A	net € sec. 1 A	net € sec. 5 A	net € sec. 1 A	net € sec. 5 A	net € sec. 1 A	net € sec. 5 A	net € sec. 1 A
200	2,5	X	X	-	-	X	X	X	X
	3,75	-	-	-	-	X	X	-	-
250	1	-	-	X	X	-	-	-	-
	2,5	X	X	-	-	X	X	X	X
	3,75	X	-	-	-	-	-	-	-
	5	-	-	-	-	X	X	X	-
300	7,5	-	-	-	-	X	X	-	-
	1	-	-	X	X	-	-	-	-
	2,5	X	X	X	X	X	X	X	X
	3,75	X	X	-	-	-	-	-	-
400	5	X	-	-	-	X	X	X	X
	10	-	-	-	-	X	X	-	-
	1	-	-	-	X	-	-	-	-
	2,5	X	X	X	X	X	X	X	X
500	3,75	X	X	-	-	-	-	-	-
	5	X	-	X	-	X	X	X	X
	7,5	X	-	X	-	-	-	-	-
	10	-	-	-	-	X	X	X	X
	15	-	-	-	-	X	X	X	-
	20	-	-	-	-	X	-	-	-
	2,5	X	X	X	X	-	X	X	X
600	5	X	X	X	X	X	X	X	X
	10	X	-	X	-	X	X	X	X
	15	-	-	-	-	X	-	X	-
	20	-	-	-	-	X	-	-	-
750	2,5	X	X	X	X	-	-	-	-
	5	X	X	X	X	X	X	X	X
	7,5	-	X	-	X	-	-	-	-
	10	X	-	X	-	X	X	X	X
	15	-	-	-	-	X	X	X	X
	20	-	-	-	-	X	X	X	-

Accessories: see page 36



Plug-in current transformers

for busbars 60 x 15 / 2 x 50 x 10 mm

SWR-S 6010 / SWR 6010

Primary current 800 - 2500 A



Dimensions
page 40

Type SWR-S 6010

Width	85 mm
Depth	30 mm
Busbar size	60x15/2x50x10 mm
Round cond.	Ø 52 mm

Accessories incl. busbar fixing material
secondary terminal cover

Weight approx. 350 g
also possible in class 0,2; 0,25 und 0,55

Type SWR 6010

Width	95 mm
Depth	30 mm
Busbar size	60x15/2x50x10 mm
Round cond.	Ø 53 mm

Accessories incl. busbar fixing material
secondary terminal cover

Weight approx. 500 g
also possible in class 0,2; 0,25 und 0,55



Types and variants

Primary current in A	VA	class 1		class 0,5		class 1		class 0,5	
		net € sec. 5 A	net € sec. 1 A	net € sec. 5 A	net € sec. 1 A	net € sec. 5 A	net € sec. 1 A	net € sec. 5 A	net € sec. 1 A
800	2,5	X	X	X	X	-	-	-	-
	5	X	X	X	X	X	X	X	X
	10	X	-	X	-	X	X	X	X
	15	X	-	X	-	X	X	X	X
	20	-	-	-	-	X	X	X	-
1000	2,5	-	X	X	X	-	-	-	-
	5	X	X	X	X	X	X	X	X
	10	X	-	X	-	X	X	X	X
	15	X	-	X	-	X	X	X	X
	20	-	-	-	-	X	X	X	X
1250	2,5	-	X	-	X	-	-	-	-
	5	X	X	X	X	X	X	X	X
	7,5	-	X	-	X	-	-	-	-
	10	X	-	X	-	X	X	X	X
	15	X	-	X	-	X	X	X	X
1500	20	X	-	X	-	X	X	X	X
	5	X	-	X	-	X	X	X	X
	10	X	-	X	-	X	X	X	X
	15	X	-	X	-	X	X	X	X
	20	X	-	X	-	-	-	-	-
1600	30	-	-	-	-	X	-	X	-
	5	X	-	X	-	X	X	X	X
	10	X	-	X	-	X	X	X	X
	15	X	-	X	-	X	X	X	X
	20	X	-	X	-	-	-	-	-
2000	30	-	-	-	-	X	-	X	-
	5	-	-	-	-	X	X	X	X
	10	-	-	-	-	X	X	X	X
	15	-	-	-	-	X	X	X	X
	20	-	-	-	-	X	X	X	X
2500	5	-	-	-	-	X	-	X	-
	10	-	-	-	-	X	-	X	-
	15	-	-	-	-	X	-	X	-
	20	-	-	-	-	X	-	X	-

Accessories: see page 36

1 Measuring transducers

2 Mains and limit monitoring

3 Energy meters

4 Panel meters digital

5 Panel meters analog

6 Meas. instruments for top hat rail mounting

7 Universal measuring instruments

8 Current transformers SW"R"-series

9 Shunts

10 Test apparatus



Plug-in current transformers

for busbars 60 x 40 mm

SWR 6040

Primary current 200 - 2000 A

Type SWR 6040

Width	96 mm
Depth	30 mm
Busbar size	60 x 40 / 50 x 50 mm
Round cond.	Ø 61 mm

Accessories incl. busbar fixing material
secondary terminal cover

Weight approx. 350 g
also possible in class 0,2; 0,2S und 0,5S

Dimensions
page 40

Types and variants

Primary current in A	VA	class 1		class 0,5	
		net € sec. 5 A	net € sec. 1 A	net € sec. 5 A	net € sec. 1 A
200	2,5	X	X	-	-
	250	X	X	-	-
	3,75	X	-	-	-
300	2,5	X	X	X	X
	3,75	-	X	-	-
	5	X	-	-	-
400	2,5	X	X	X	X
	3,75	-	-	-	X
	5	X	X	X	-
500	2,5	X	X	X	X
	5	X	X	X	X
	7,5	X	X	-	X
600	2,5	X	X	X	X
	5	X	X	X	X
	7,5	-	-	X	X
750	10	X	X	-	-
	2,5	X	X	X	X
	5	X	X	X	X
800	10	X	X	X	X
	2,5	X	X	X	X
	5	X	X	X	X
1000	10	X	X	X	X
	2,5	X	X	X	X
	5	X	X	X	X
1250	10	X	X	X	X
	2,5	X	X	X	X
	5	X	X	X	X
1500	10	X	X	X	X
	2,5	-	X	-	X
	5	X	X	X	-
1600	10	X	X	-	-
	15	X	X	-	-
	5	X	-	-	-
2000	10	X	-	-	-
	15	X	-	-	-
	5	X	-	-	-

Accessories: see page 36

1 Measuring transducers
2 Mains and limit monitoring
3 Energy meters
4 Panel meters digital
5 Panel meters analog
6 Meas. instruments for top hat rail mounting
7 Universal measuring instruments
8 Current transformers SWR-series
9 Shunts
10 Test apparatus

Plug-in current transformers

for busbars 80 x 15 / 2 x 80 x 10 mm

SWR 8010 / SWR 8030

Primary current 400 - 2500 A



Dimensions
page 40

Type SWR 8010

Width	105 mm
Depth	30 mm
Busbar size	80x15/2x60x10 mm
Round cond.	Ø 61 mm
Accessories incl.	busbar fixing material secondary terminal cover

Weight approx. 450 g
also possible in class 0,2; 0,2S und 0,5S

Type SWR 8030

Width	105 mm
Depth	30 mm
Busbar size	2x80x10 / 60x60 mm
Round cond.	Ø 70 mm
Accessories incl.	busbar fixing material secondary terminal cover

Weight approx. 400 g
also possible in class 0,2; 0,2S und 0,5S



Types and variants

Primary current in A	VA	class 1		class 0,5		class 1		class 0,5	
		net €	net €	net €	net €	net €	net €	net €	net €
		sec. 5 A	sec. 1 A	sec. 5 A	sec. 1 A	sec. 5 A	sec. 1 A	sec. 5 A	sec. 1 A
400	2,5	X	X	X	X	X	-	X	-
	5	X	X	-	X	X	-	X	-
	7,5	X	X	-	-	-	-	-	-
500	2,5	X	X	X	X	X	X	X	X
	5	X	X	X	X	X	-	X	-
	10	X	X	-	-	-	-	-	-
600	2,5	X	X	X	X	X	X	X	X
	5	X	X	X	X	X	X	X	X
	10	X	X	X	X	-	-	-	-
750	2,5	X	X	X	X	X	X	X	X
	5	X	X	X	X	X	X	X	X
	10	X	X	X	X	X	-	-	-
	15	X	-	X	-	-	-	-	-
800	2,5	X	X	X	X	X	X	X	X
	5	X	X	X	X	X	X	X	X
	10	X	X	X	X	X	-	X	-
	15	X	-	X	-	-	-	-	-
1000	2,5	X	X	X	X	X	X	X	X
	5	X	X	X	X	X	X	X	X
	10	X	X	X	X	X	X	X	X
1250	2,5	X	X	X	X	X	X	X	X
	5	X	X	X	X	X	X	X	X
	10	X	X	X	X	X	X	X	X
	15	X	X	X	X	-	-	-	-
1500	2,5	X	X	X	X	X	X	X	X
	5	X	X	X	X	X	X	X	X
	10	X	X	X	X	X	X	X	X
	15	X	X	X	X	-	-	-	-
1600	2,5	X	X	X	X	X	X	X	X
	5	X	X	X	X	X	X	X	X
	10	X	X	X	X	X	X	X	X
	15	X	X	X	X	-	-	-	-
2000	5	X	X	X	X	X	-	X	-
	10	X	X	X	X	X	-	X	-
	15	X	X	X	X	X	-	X	-
2500 *	10	X	-	X	-	X	-	X	-
	15	X	-	X	-	X	-	X	-
	20	X	-	X	-	-	-	-	-
	30	X	-	-	-	-	-	-	-

* I_{cth}: 1,0 x I_{pr}

Accessories: see page 36

1 Measuring transducers

2 Mains and limit monitoring

3 Energy meters

4 Panel meters digital

5 Panel meters analog

6 Meas. instruments for top hat rail mounting

7 Universal measuring instruments

8 Current transformers SW"R"-series

9 Shunts

10 Test apparatus



Plug-in current transformers

for busbars 2 x 100 x 10 / 3 x 100 x 12 mm

SWR 10030 / SWR 10056

Primary current 400 - 4000 A



Dimensions page 41

Type SWR 10030

Width	129 mm
Depth	30 mm
Busbar size	2x100x10 / 80x60 mm
Round cond.	Ø 85 mm

Accessories incl. busbar fixing material
secondary terminal cover

Weight approx. 650 g
also possible in class 0,2; 0,25 und 0,5S

Type SWR 10056

Width	129 mm
Depth	30 mm
Busbar size	3x100x12 mm
Round cond.	Ø 56 mm

Accessories incl. busbar fixing material
secondary terminal cover

Weight approx. 600 g
also possible in class 0,2; 0,25 und 0,5S



Types and variants

Primary current in A	VA	class 1		class 0,5		class 1		class 0,5	
		net € sec. 5 A	net € sec. 1 A	net € sec. 5 A	net € sec. 1 A	net € sec. 5 A	net € sec. 1 A	net € sec. 5 A	net € sec. 1 A
400	2,5	X	X	X	X	X	X	-	-
	5	X	X	-	-	X	X	-	-
500	2,5	X	X	X	X	X	X	-	-
	5	X	X	X	X	X	X	-	-
600	5	X	X	X	X	X	X	X	X
	10	X	X	-	X	X	X	-	-
750	5	X	X	X	X	X	X	X	X
	10	X	X	X	X	X	X	X	X
800	5	X	X	X	X	X	X	X	X
	10	X	X	X	X	X	X	X	X
1000	5	X	X	X	X	X	X	X	X
	10	X	X	X	X	X	X	X	X
	15	X	X	X	-	X	X	X	X
1200	5	X	X	X	X	X	X	X	X
	10	X	X	X	X	X	X	X	X
	15	X	X	X	X	X	X	X	X
1250	5	X	X	X	X	X	X	X	X
	10	X	X	X	X	X	X	X	X
	15	X	X	X	X	X	X	X	X
1500	5	X	X	X	X	X	X	X	X
	10	X	X	X	X	X	X	X	X
	15	X	X	X	X	X	X	X	X
1600	5	X	X	X	X	X	X	X	X
	10	X	X	X	X	X	X	X	X
	15	X	X	X	X	X	X	X	X
2000	5	X	X	X	X	X	X	X	X
	10	X	X	X	X	X	X	X	X
	15	X	X	X	X	X	X	X	X
2500	5	X	X	X	X	X	X	X	X
	10	X	X	X	X	X	X	X	X
	15	X	X	X	X	X	X	X	X
3000*	5	X	X	X	X	X	-	X	X
	10	X	X	X	X	X	X	X	X
	15	X	X	X	X	X	X	X	X
4000*	5	X	-	X	-	X	-	X	-
	10	X	-	X	-	X	-	X	-
	15	X	-	X	-	X	-	X	-

* I_{cth}: 1,0 x I_{pr}

Accessories: see page 36



Plug-in current transformers

for busbars 2 x 120 x 10 / 4 x 120 x 10 mm

SWR 12030 / SWR 12070

Primary current 400 - 1600 A



Dimensions page 41

Type SWR 12030

Width	159 mm
Depth	30 mm
Busbar size	2x120x10 / 3x100x10 mm
Round cond.	Ø 96 mm

Accessories incl. busbar fixing material
secondary terminal cover

Weight approx. 900 g
also possible in class 0,2; 0,25 und 0,5S

Type SWR 12070

Width	159 mm
Depth	30 mm
Busbar size	4x120x10 mm
Round cond.	Ø 72 mm

Accessories incl. busbar fixing material
secondary terminal cover

Weight approx. 950 g
also possible in class 0,2; 0,25 und 0,5S



Types and variants

Primary current in A	VA	class 1		class 0,5		class 1		class 0,5	
		net € sec. 5 A	net € sec. 1 A	net € sec. 5 A	net € sec. 1 A	net € sec. 5 A	net € sec. 1 A	net € sec. 5 A	net € sec. 1 A
400	2,5	X	-	X	X	X	X	-	-
	5	X	X	-	X	X	X	-	-
	10	-	X	-	-	-	-	-	-
500	2,5	-	-	X	X	X	X	-	-
	5	X	X	X	X	X	X	-	-
	10	X	X	-	-	-	-	-	-
600	2,5	-	-	X	X	-	-	X	X
	5	X	X	X	X	X	X	X	X
	10	X	X	-	X	X	X	-	-
750	5	X	X	X	X	X	X	X	X
	10	X	X	X	X	X	X	-	-
	15	X	X	X	X	-	-	-	-
800	20	X	X	-	-	-	-	-	-
	5	X	X	X	X	X	X	X	X
	10	X	X	X	X	X	X	-	-
1000	15	X	X	X	X	-	-	-	-
	20	X	X	-	-	-	-	-	-
	5	X	X	X	X	X	X	X	X
1250	10	X	X	X	X	X	X	X	X
	15	X	X	X	X	X	X	-	-
	20	X	X	X	X	-	-	-	-
1500	5	-	X	X	X	X	X	X	X
	10	X	X	X	X	X	X	X	X
	15	X	X	X	X	X	X	-	-
1600	20	X	X	X	X	-	-	-	-
	5	X	X	X	X	X	X	X	X
	10	X	X	X	X	X	X	X	X
	15	X	X	X	X	X	X	-	-
	20	-	-	X	X	-	-	-	-
	30	X	X	-	-	-	-	-	-

Accessories: see page 36



Plug-in current transformers

for busbars 2 x 120 x 10 / 4 x 120 x 10 mm

SWR 12030 / SWR 12070 Primary current 2000 - 6000 A



Dimensions
page 41

Type SWR 12030

Width	159 mm
Depth	30 mm
Busbar size	2x120x10 / 3x100x10 mm
Round cond.	Ø 96 mm

Accessories incl. busbar fixing material
secondary terminal cover

Weight approx. 900 g
also possible in class 0,2; 0,25 und 0,55

Type SWR 12070

Width	159 mm
Depth	30 mm
Busbar size	4x120x10 mm
Round cond.	Ø 72 mm

Accessories incl. busbar fixing material
secondary terminal cover

Weight approx. 950 g
also possible in class 0,2; 0,25 und 0,55



Types and variants

Primary current in A	VA	class 1		class 0,5		class 1		class 0,5	
		net € sec. 5 A	net € sec. 1 A	net € sec. 5 A	net € sec. 1 A	net € sec. 5 A	net € sec. 1 A	net € sec. 5 A	net € sec. 1 A
2000	5	X	X	X	X	X	X	X	X
	10	X	X	X	X	X	X	X	X
	15	X	X	X	X	X	X	X	X
	30	X	X	X	X	-	-	-	-
2500	10	X	X	X	X	X	X	X	X
	15	X	X	X	X	X	X	X	X
	30	X	X	X	X	X	X	-	-
3000	10	X	X	X	X	X	X	X	X
	15	X	X	X	X	X	X	X	X
	30	X	X	X	X	X	X	-	-
	45	X	X	X	X	-	-	-	-
4000	10	X	X	X	X	X	X	X	X
	15	X	X	X	X	X	X	X	X
	30	X	X	X	X	X	X	-	-
	45	X	X	X	X	-	-	-	-
5000*	10	-	-	-	-	X	-	X	-
	20	-	-	-	-	X	-	X	-
	30	-	-	-	-	X	-	X	-
6000*	10	-	-	-	-	X	-	X	-
	20	-	-	-	-	X	-	X	-
	30	-	-	-	-	X	-	X	-

* I_{cth}: 1,0 x I_{pr}

Accessories: see page 36

1 Measuring transducers

2 Mains and limit monitoring

3 Energy meters

4 Panel meters digital

5 Panel meters analog

6 Meas. instruments for top hat rail mounting

7 Universal measuring instruments

8 Current transformers SW"R"-series

9 Shunts

10 Test apparatus



Plug-in current transformers

for busbars 3 x 140 x 10 mm

SWR 14050

Primary current 1000 - 7000 A

Type SWR 14050

Width	200 mm
Depth	50 mm
Busbar size	3x140x10 mm
Round cond.	Ø 56 mm

Accessories incl. busbar fixing material
secondary terminal cover

Weight approx. 900 g
also possible in class 0,2; 0,25 und 0,5S

Dimensions
page 42

Types and variants

Primary current in A	VA	class 1		class 0,5	
		net € sec. 5 A	net € sec. 1 A	net € sec. 5 A	net € sec. 1 A
1000	5	X	-	X	-
	10	X	-	X	-
2000	10	X	-	X	-
	15	-	-	X	-
3000	20	X	-	-	-
	10	X	-	X	-
4000	15	-	-	X	-
	20	X	-	-	-
5000	10	X	-	X	-
	15	-	-	X	-
7000*	20	X	-	-	-
	10	X	-	X	-
	20	X	-	X	-
	30	X	-	X	-

* I_{cth}: 1,0 x I_{pr}

Accessories: see page 36

1 Measuring transducers
2 Mains and limit monitoring
3 Energy meters
4 Panel meters digital
5 Panel meters analog
6 Meas. instruments for top hat rail mounting
7 Universal measuring instruments
8 Current transformers SW "R"-series
9 Shunts
10 Test apparatus



Wound primary CT's

for direct connection

WSR 60

Primary current 1 - 40 A



Dimensions
page 42

Type WSR 60

Width	60 mm
Depth	30 mm
Busbar size	-- mm
Round cond.	-- mm
Accessories incl.	foot fastening brackets secondary terminal cover
Weight	approx. 250 g



Types and variants

Primary current in A	VA	class 1		class 0,5	
		net € sec. 5 A	net € sec. 1 A	net € sec. 5 A	net € sec. 1 A
1	2,5	X	X	X	X
	5	X	X	X	X
2	2,5	X	X	X	X
	5	X	X	X	X
2,5	2,5	X	X	X	X
	5	X	X	X	X
4	2,5	X	X	X	X
	5	X	X	X	X
5	2,5	X	X	X	X
	5	X	X	X	X
6	2,5	X	X	X	X
	5	X	X	X	X
7,5	2,5	X	X	X	X
	5	X	X	X	X
10	2,5	X	X	X	X
	5	X	X	X	X
12,5	2,5	X	X	X	X
	5	X	X	X	X
15	2,5	X	X	X	X
	5	X	X	X	X
20	2,5	X	X	X	X
	5	X	X	X	X
25	2,5	X	X	X	X
	5	X	X	X	X
30	2,5	X	X	X	X
	5	X	X	X	X
40	2,5	X	X	X	X
	5	X	X	X	X

Accessories: see page 36

1 Measuring transducers

2 Mains and limit monitoring

3 Energy meters

4 Panel meters digital

5 Panel meters analog

6 Meas. instruments for top hat rail mounting

7 Universal measurement instruments

8 Current transformers SW"R"-series

9 Shunts

10 Test apparatus

General description summary current transformers



Application

Summary current transformers are suitable for the summation of several synchronized alternating currents with similar phases but with differing load phase shifts. It is also possible to have the summation of currents with varied nominal voltages of similar phase positions. These measurements cannot be used for tariff applications, as the existing voltage differences are recorded as errors.

With the counter connection of the main transformer to the summation current transformer, it is possible to receive secondary currents which are proportional to the differences of the primary input currents. The built-in technical know-how enables the summary current transformers to add secondary currents of varying nominal transmissions from the main transformer.

Connection of main transformers with similar transmission ratios

It is irrelevant for the main transformers with similar nominal transmission ratios, to which primary circuit of the summary current transformer the connection is made.

Connection of main transformers with different transmission ratios

With main transformers of different nominal transmission ratios, care must be taken to adhere to the assigned connection to the terminals of the summary current transformers. Is the current flow in the main transformer interrupted, the secondary circuit of the main transformer must neither be short-circuited nor be connected to the summary current transformer, or to the main transformer.

Summary current transformers with unallocated primary circuits must remain open for a later connection to an additional main transformer. The secondary output current of the summary current transformer is in this instance lower than the secondary nominal current of the summary current transformer by a quantity equal to the ratio of the primary nominal current of this "missing" main transformer and the sum of all the primary nominal currents of the main transformer.

A measuring device with a measuring range equal to the secondary nominal current of the total current transformer can be used to display the „total current“.

The ratio of the primary current of a main transformer to the sum of the primary currents of all main current transformers the ratio must not exceed 1:8.



Calculation and interpretation of summary current transformers

Example:

Actual situation:	3 transmission ratios	1000/5 A 800/5 A <u>600/5 A</u> 2400/5 A
Burden:	1 current meter 1 power recorder	
Locking for:	Summary CT and the VA power of the individual main transformers	
Required active performance of the summary current transformer:	Current meter	1,5 VA
	Power recorder	7,0 VA
	Measurement line loss	1,5 VA
	Consumption summary CT	<u>4,0 VA</u>
	Interim result	14,00 VA

The individual transformer must provide its VA share from this 14.0 VA corresponding to its ratio to the "total transmission". Consideration must also be given to the respective power loss between the main transformer and the summary transformer plus other possible losses.

1. Main transformer 1000/5 A	<u>1000</u> 2400 x 14,0 = 5,83 VA + additional possible losses
2. Main transformer 800/5 A	<u>800</u> 2400 x 14,0 = 4,67 VA + additional possible losses
3. Main transformer 600/5 A	<u>600</u> 2400 x 14,0 = 3,50 VA + additional possible losses

The VA values of the main transformers are to be rounded up to the corresponding VA values in our charts.

Summary current transformers

for 2 to 9 primary circuits

1 Measuring transducers

2 Mains and limit monitoring

3 Energy meters

4 Panel meters digital

5 Panel meters analog

6 Meas. instruments for top hat rail mounting

7 Universal measur- ring instruments

8 Current transfor- mers SW"R"-series

9 Shunts

10 Test apparatus



SSWR 2 to SSWR 9

Type SSWR 2 bis 9

Width 45 (size 1)/100 (size 2) mm
Depth 73 mm
Primary circuits 2 to 9
Accessories incl. integrated DIN top hat rail mounting

Weight approx.. 350 - 600 g

If different main circuit inputs are use, these must be specified when ordering!



Maßzeichnungen
Seite 42



Types and variants Primary current 5 A

Primary circuits (no. of)	VA/ housing size	Class 1		Class 0,5	
		net € sec. 5 A	net € sec. 1 A	net € sec. 5 A	net € sec. 1 A
2	2,5/1	X	X	X	X
	5/1	X	X	X	X
	10/1	X	X	X	X
	15/1	X	X	X	X
	30/2	X	X	X	X
3	2,5/1	X	X	X	X
	5/1	X	X	X	X
	10/1	X	X	X	X
	15/1	X	X	X	X
	30/2	X	X	X	X
4	2,5/1	X	X	X	X
	5/1	X	X	X	X
	10/1	X	X	X	X
	15/1	X	X	X	X
	30/2	X	X	X	X
5	2,5/2	X	X	X	X
	5/2	X	X	X	X
	10/2	X	X	X	X
	15/2	X	X	X	X
	30/2	X	X	X	X
6	2,5/2	X	X	X	X
	5/2	X	X	X	X
	10/2	X	X	X	X
	15/2	X	X	X	X
	30/2	X	X	X	X
7	2,5/2				
	5/2	on request		on request	
	10/2				
	15/2				
	30/2				
8	2,5/2				
	5/2	on request		on request	
	10/2				
	15/2				
	30/2				
9	2,5/2				
	5/2	on request		on request	
	10/2				
	15/2				
	30/2				

Primary current 1 A

Primary circuits (no. of)	VA/ housing size	Class 1		Class 0,5	
		net € sec. 5 A	net € sec. 1 A	net € sec. 5 A	net € sec. 1 A
2	2,5/1	X	X	X	X
	5/1	X	X	X	X
	10/1	X	X	X	X
	15/1	X	X	X	X
	30/2	X	X	X	X
3	2,5/1	X	X	X	X
	5/1	X	X	X	X
	10/1	X	X	X	X
	15/1	X	X	X	X
	30/2	X	X	X	X
4	2,5/1	X	X	X	X
	5/1	X	X	X	X
	10/1	X	X	X	X
	15/1	X	X	X	X
	30/2	X	X	X	X
5	2,5/2	X	X	X	X
	5/2	X	X	X	X
	10/2	X	X	X	X
	15/2	X	X	X	X
	30/2	X	X	X	X
6	2,5/2	X	X	X	X
	5/2	X	X	X	X
	10/2	X	X	X	X
	15/2	X	X	X	X
	30/2	X	X	X	X
7	2,5/2				
	5/2	on request		on request	
	10/2				
	15/2				
	30/2				
8	2,5/2				
	5/2	on request		on request	
	10/2				
	15/2				
	30/2				
9	2,5/2				
	5/2	on request		on request	
	10/2				
	15/2				
	30/2				

Accessories: see page 36



Split-core current transformers

for round conductors up to 18,5 / 28 mm

SWUR 18 / SWUR 28

Primary current 50 - 500 A



Maßzeichnungen Seite 43

Type SWUR 18

With	44,4 mm
Depth	44,6 mm
Busbar size	--
Round cond.	Ø 18,5 mm
Accessories incl.	foot fastening brackets click-off hinge connection cable length = 1,5 m 2x0,75 mm ² at 1 A sec. 2x2,5 mm ² at 5 A sec.
Weight	approx. 150 g

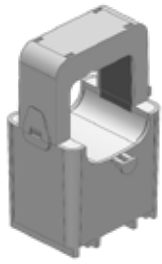
Type SWUR 28

Width	43,9 mm
Depth	43,7 mm
Busbar size	--
Round cond.	Ø 28 mm
Accessories incl.	foot fastening brackets click-off hinge connection cable length = 1,5 m 2x0,75 mm ² at 1 A sec. 2x2,5 mm ² at 5 A sec.
Weight	approx. 220 g



Types and variants

Primary current in A	VA	class 3		class 1		class 3		class 1	
		net € sec. 5 A	net € sec. 1 A	net € sec. 5 A	net € sec. 1 A	net € sec. 5 A	net € sec. 1 A	net € sec. 5 A	net € sec. 1 A
50	1	-	X	-	-	-	-	-	-
60	0,6	X	-	-	-	-	-	-	-
	1,25	-	X	-	-	-	-	-	-
63	0,6	X	-	-	-	-	-	-	-
	1,25	-	X	-	-	-	-	-	-
75	0,6	X	-	-	-	-	-	-	-
	1,25	-	X	-	-	-	-	-	-
80	0,6	X	-	-	-	-	-	-	-
	1,25	-	X	-	-	-	-	-	-
100	0,2	-	-	X	X	-	-	-	-
	0,6	X	-	-	-	-	-	-	-
	1,5	-	X	-	-	-	-	-	-
125	0,2	-	-	X	-	-	-	-	-
	0,4	-	-	-	X	-	-	-	-
	0,6	X	-	-	-	-	-	-	-
	1,5	-	X	-	-	-	-	-	-
150	0,4	-	-	X	-	-	-	-	-
	0,5	-	-	-	-	X	X	-	-
	0,6	X	-	-	X	-	-	-	-
	2	-	X	-	-	-	-	-	-
200	0,5	-	-	-	-	X	X	-	-
	0,6	-	-	X	-	-	-	-	-
	1,25	-	-	-	X	-	-	-	-
	1,5	X	-	-	-	-	-	-	-
	2,5	-	X	-	-	-	-	-	-
250	0,5	-	-	-	-	X	X	X	X
	0,6	-	-	X	-	-	-	-	-
	2,5	X	-	-	X	-	-	-	-
	3,75	-	X	-	-	-	-	-	-
300	0,5	-	-	-	-	-	-	X	X
	1	-	-	-	-	X	X	-	-
400	0,5	-	-	-	-	-	-	X	X
	1,5	-	-	-	-	X	X	-	-
500	1	-	-	-	-	-	-	X	X
	2	-	-	-	-	X	X	-	-



Split-core current transformers

for round conductors up to 42 mm

SWUR 42

Primary current 400 - 800 A



Dimensions
page 43

Type SWUR 42

Width	60,5 mm
Depth	45,8 mm
busbar size	--
Round cond.	Ø 42 mm
Accessories incl.	foot fastening brackets click-off hinge connection cable length = 3 m, 2x0,5 mm ² at 1 A sec or 1,5m, 2x2,5 mm ² at 5 A sec.
Weight	approx. 150 g



Types and variants

Primary current in A	VA	class 3		class 1	
		net € sec. 5 A	net € sec. 1 A	net € sec. 5 A	net € sec. 1 A
400	2,5	-	-	X	-
	3,75	X	-	-	X
	5	-	X	-	-
500	2,5	-	-	X	-
	3,75	X	-	-	X
	5	-	X	-	-
600	3,75	-	-	X	-
	5	X	X	-	X
	7,5	-	X	-	-
750 *	5	X	-	X	X
	7,5	-	X	-	-
	5	X	-	X	X
800 *	5	-	X	-	-
	7,5	-	X	-	-

* I_{cth}: 1,0 x I_{pr}

1 Measuring transducers

2 Mains and limit monitoring

3 Energy meters

4 Panel meters digital

5 Panel meters analog

6 Meas. instruments for top hat rail mounting

7 Universal measuring instruments

8 Current transformers SW"R"-series

9 Shunts

10 Test apparatus

Accessories for current transformers

Snap-on brackets, plastic version (rigid)

for mounting the current transformer on standard top hat rail TH 35 mm (DIN EN 60715)



Variants

Form	for CT type	
A (30 mm)	RSWR 21, SWR3010, SWR 4010, SWR-L 4010, SWR-S 5010, SWR 5010 SWR-S 6010, SWR 6010, SWR 6040, SWR 8010, SWR 8030	X
B (35 mm)	RSWR 28, SWR-L 3010, SWR-K 4010	X
C (49 mm)	SWR-S 3010, SWR-S 4010	X
E (SWUR)	SWUR 18, SWUR 28, SWUR 42	X

Snap-on mounting base, metal version (rotatable)

for mounting the current transformer on standard top hat rail TH 35 mm (DIN EN 60715)



Variants

Form	for CT type	
D1 (35 mm)	SWR-L 3010, SWR-K 4010	X
D2 (49 mm)	SWR-S 3010, SWR-S 4010	X

Isolating caps

for protection of primary busbar mounting screws



Variants

Form	for all types	
P	alle Typen	X

More accessories

More accessories available on request e.g.:

- Copper tubes for use with Tube-unit CT's
- Copper busbars for use with Plug-in CT's

Spare parts

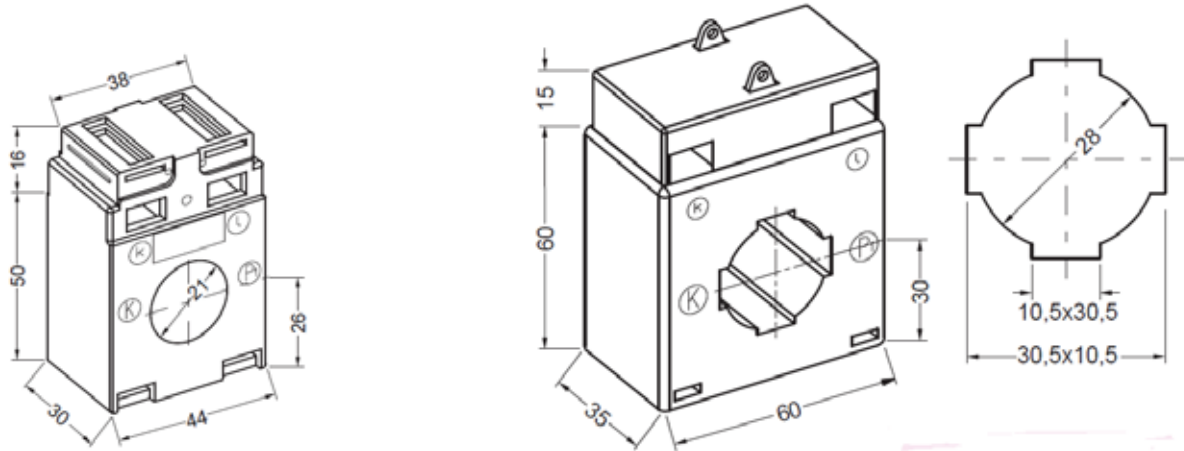
Spare parts on request:

- Busbar fixing brackets
- Busbar mounting screws
- Foot fastening brackets
- Secondary terminal covers
- Click-off hinges for split-core CT's



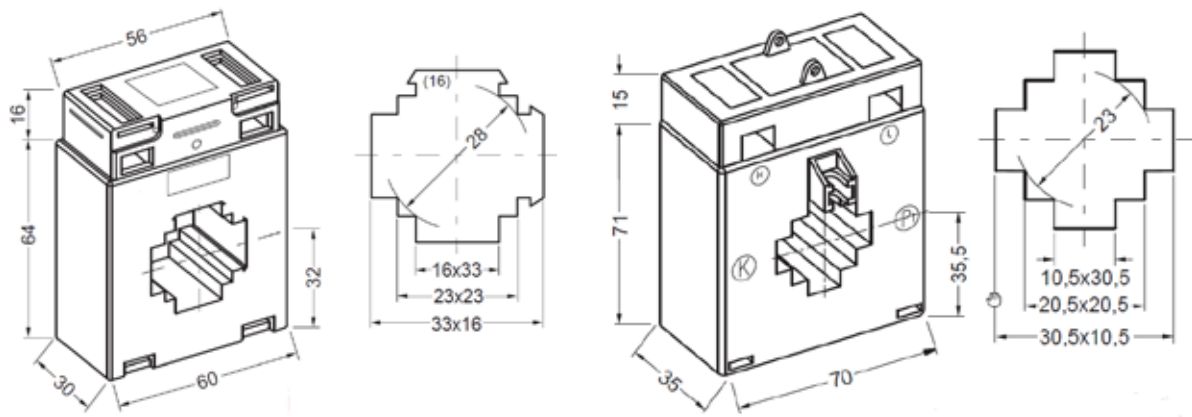
Dimensional drawings tube-unit current transformers

RSWR 21 **RSWR 28**

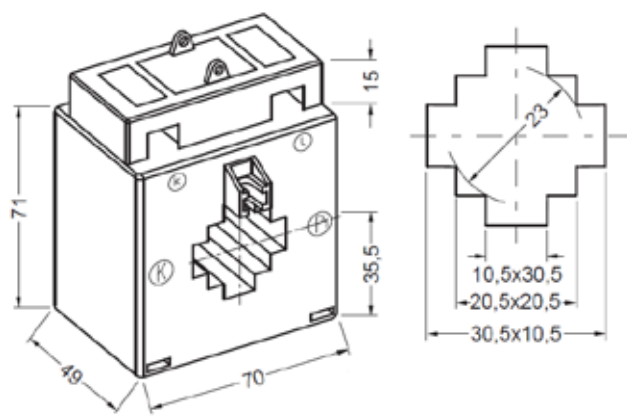


Dimensional drawings plug-in current transformers

SWR 3010 **SWR-L 3010**



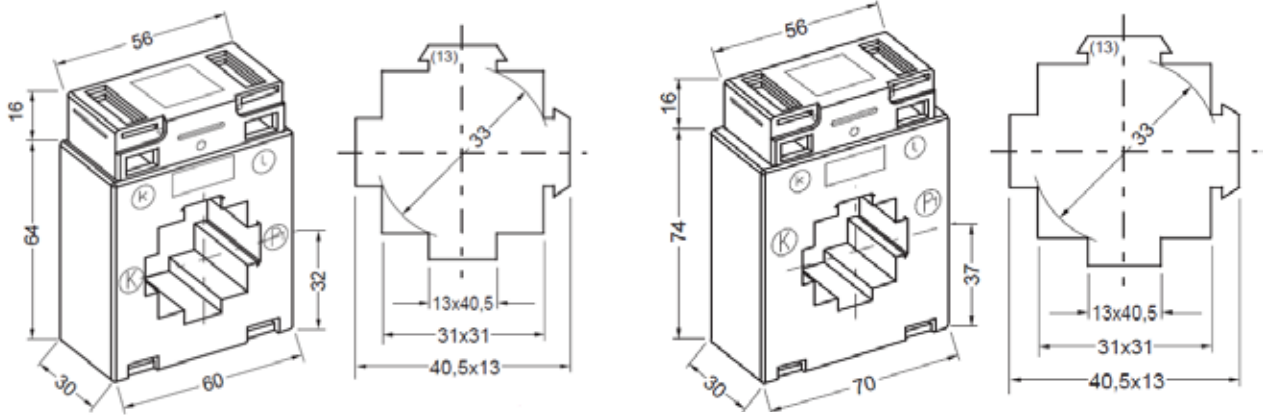
SWR-S 3010



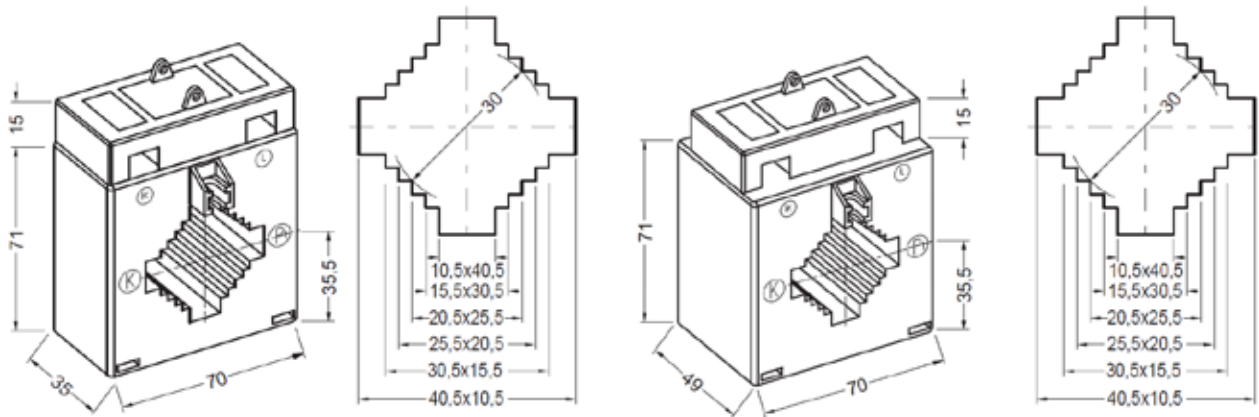


Dimensional drawings plug-in current transformers

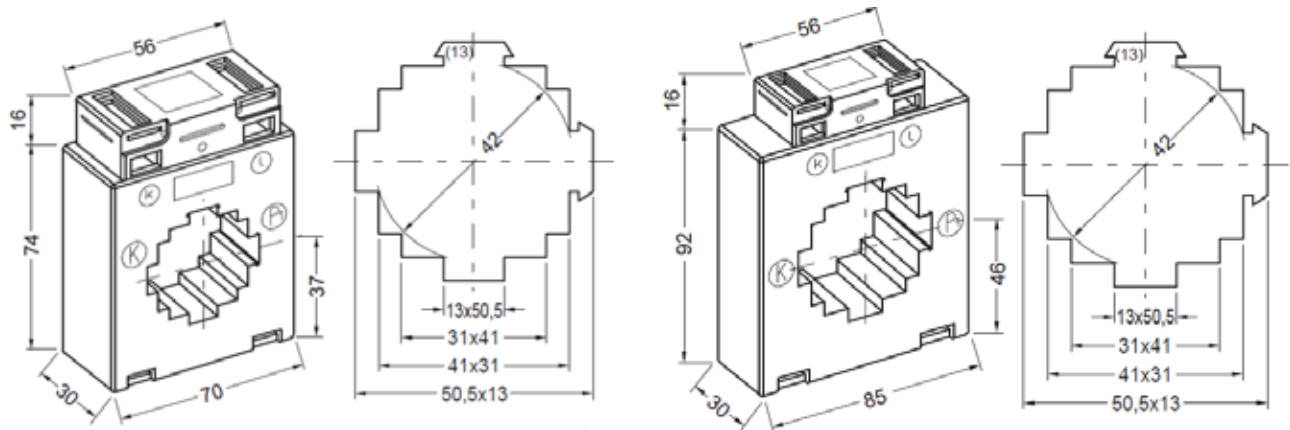
SWR 4010 **SWR-L 4010**



SWR-K 4010 **SWR-S 4010**



SWR-S 5010 **SWR 5010**



1 Measuring transducers

2 Mains and limit monitoring

3 Energy meters

4 Panel meters digital

5 Panel meters analog

6 Meas. instruments for top hat rail mounting

7 Universal measuring instruments

8 Current transformers SW"R"-series

9 Shunts

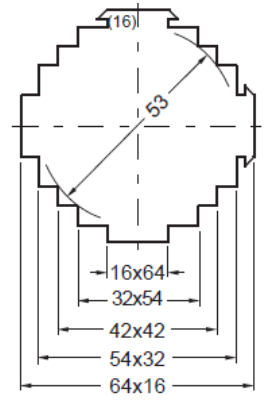
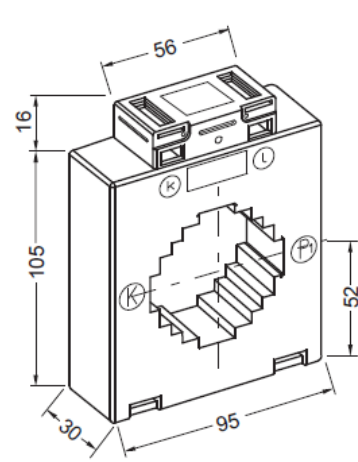
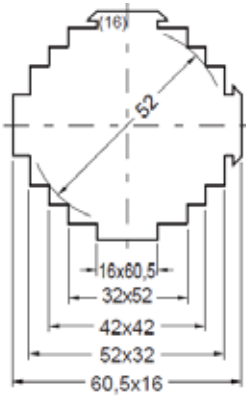
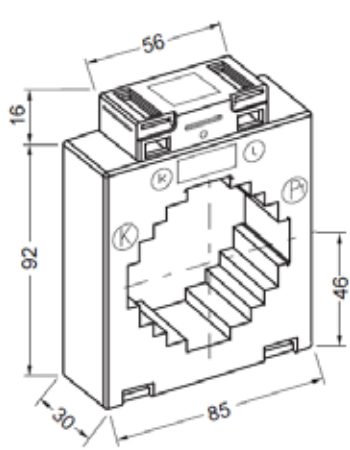
10 Test apparatus



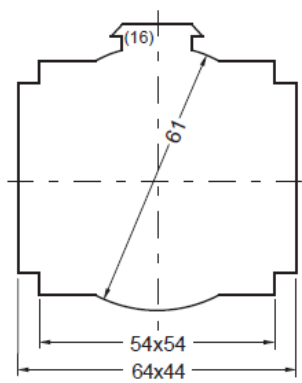
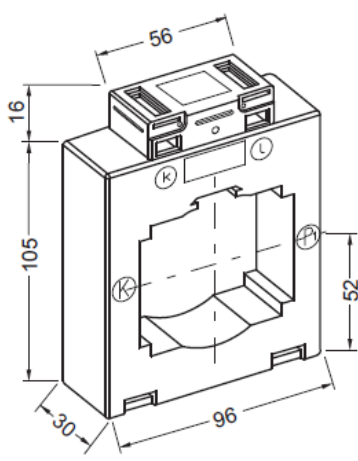
Dimensional drawings plug-in current transformers

SWR-S 6010

SWR 6010

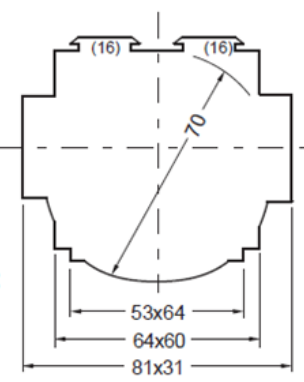
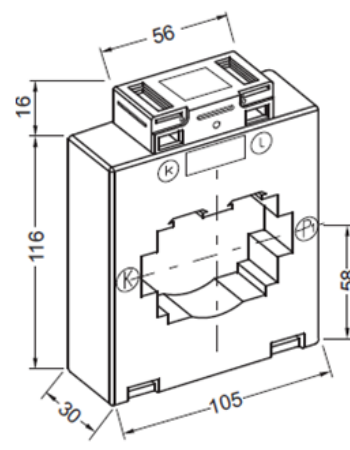
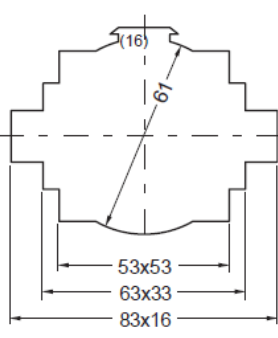
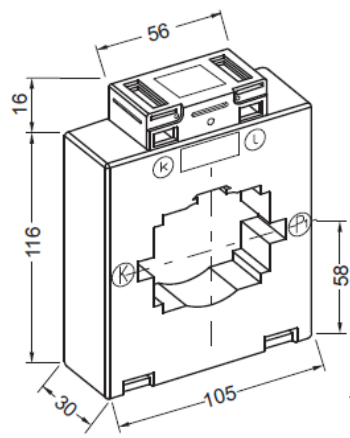


SWR 6040



SWR 8010

SWR 8030

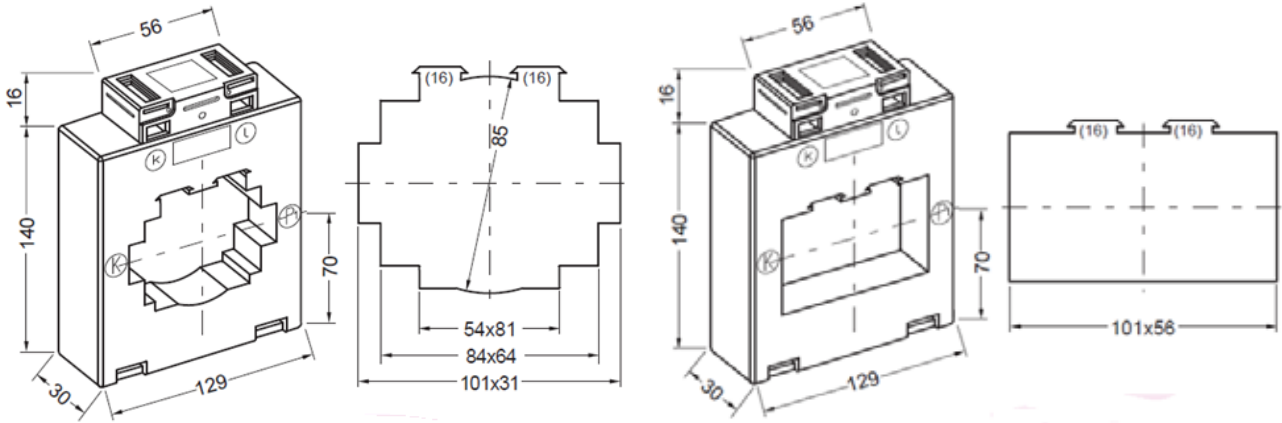




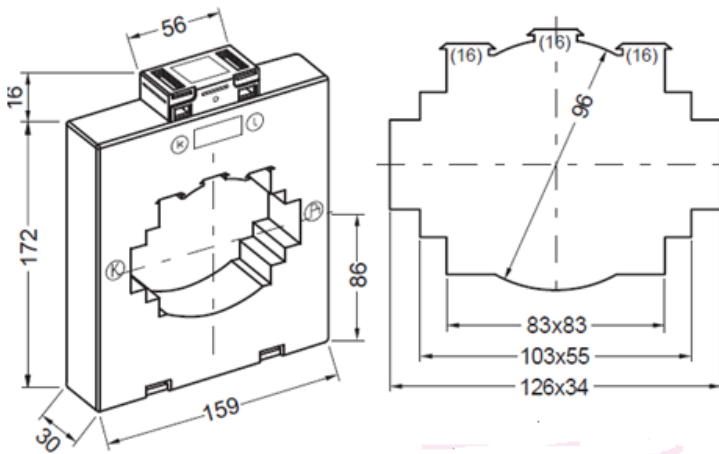
Dimensional drawings plug-in current transformers

SWR 10030

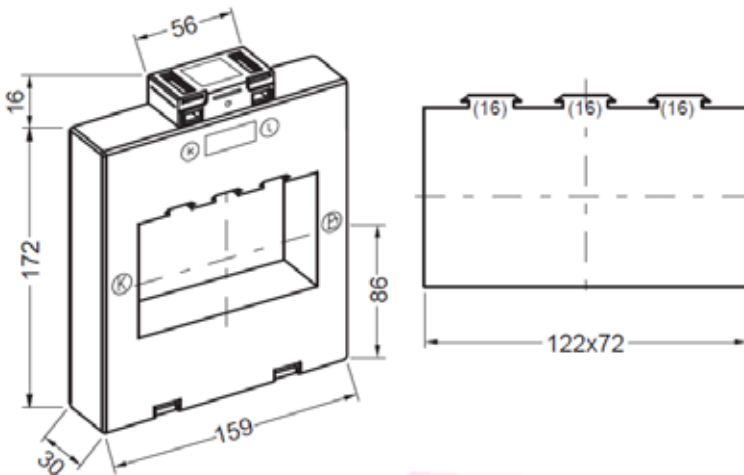
SWR 10056



SWR 12030



SWR 12070



1 Measuring transducers

2 Mains and limit monitoring

3 Energy meters

4 Panel meters digital

5 Panel meters analog

6 Meas. instruments for top hat rail mounting

7 Universal measuring instruments

8 Current transformers SW"R"-series

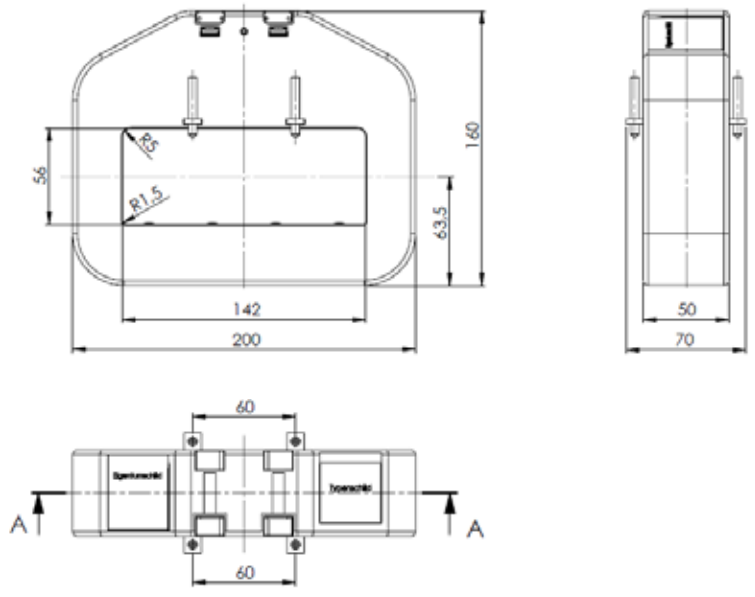
9 Shunts

10 Test apparatus

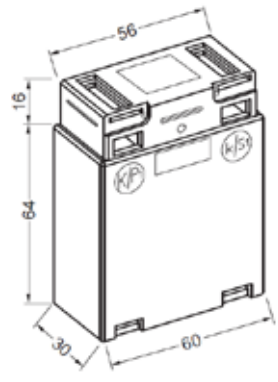


Dimensional drawings plug-in CT's, wound primary CT's, summary CT's

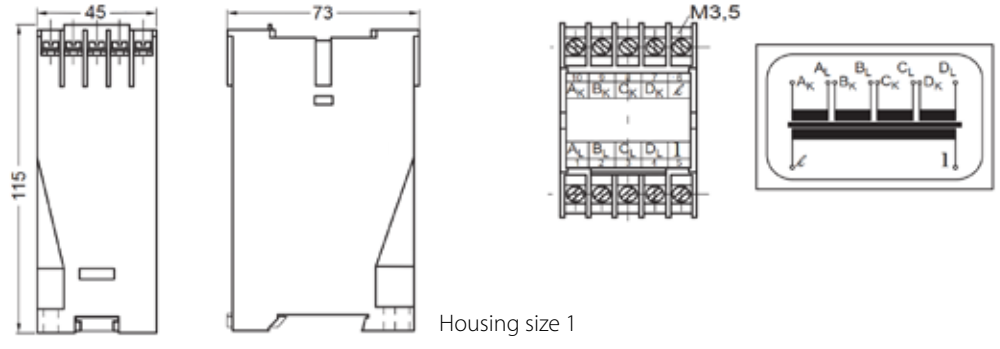
SWR 14050



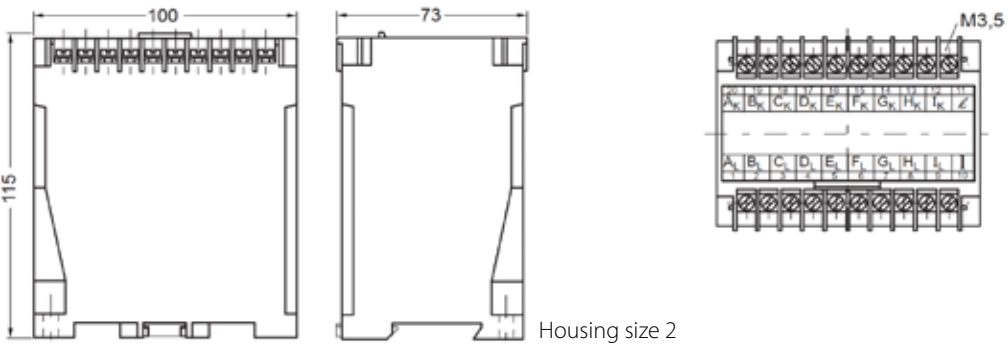
WSR 60



SSWR 2 bis 9



Housing size 1

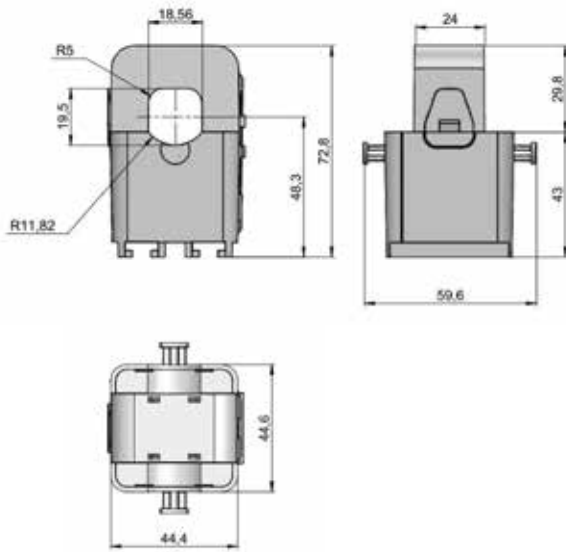


Housing size 2

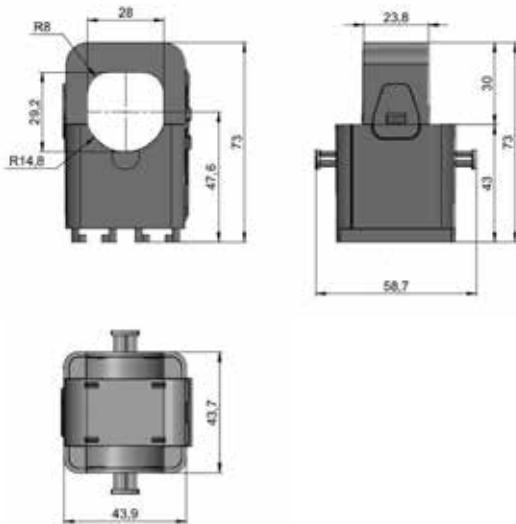


Dimensional drawings split core current transformers

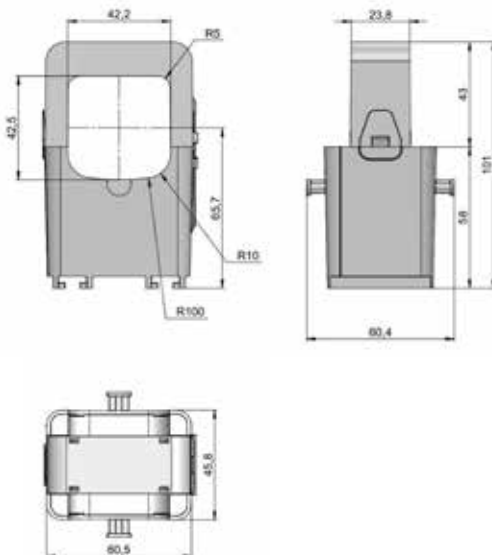
SWUR 18



SWUR 28



SWUR 42



1 Measuring transducers

2 Mains and limit monitoring

3 Energy meters

4 Panel meters digital

5 Panel meters analog

6 Meas. instruments for top hat rail mounting

7 Universal measuring instruments

8 Current transformers SW"R"-series

9 Shunts

10 Test apparatus



10 Test apparatus

9 Shunts

8 Current transformers SW "R" -series

7 Universal measuring instruments

6 Meas. instruments for top hat rail mounting

5 Panel meters analog

4 Panel meters digital

3 Energy meters

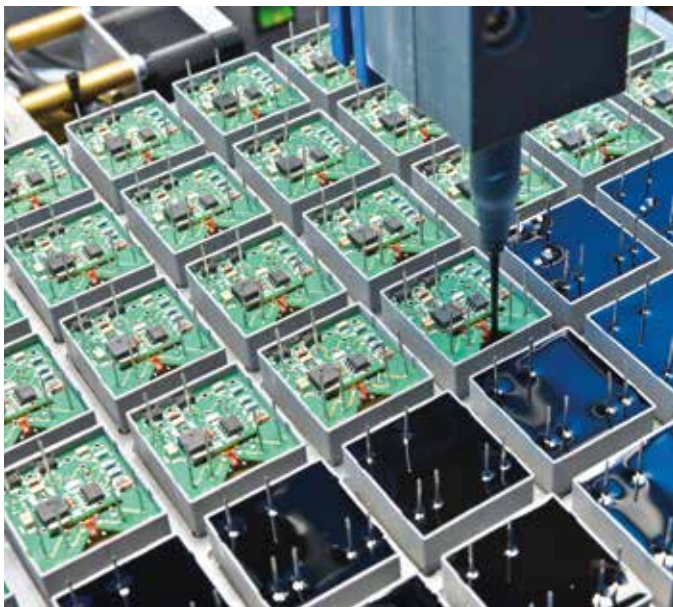
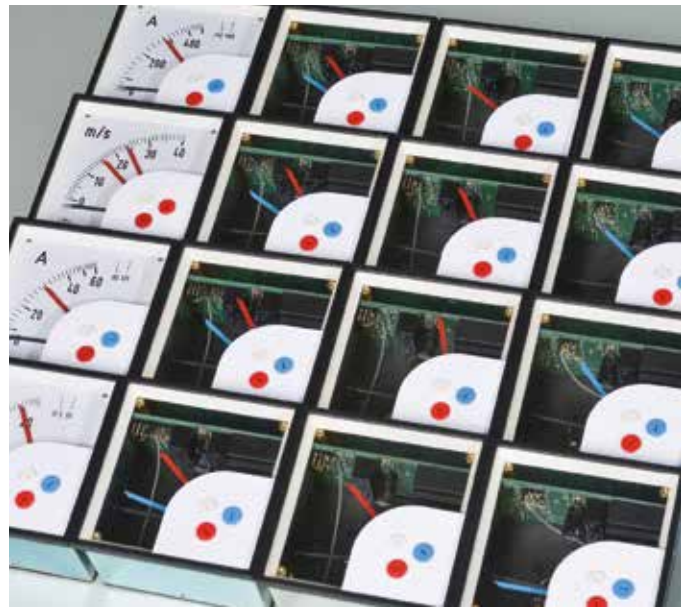
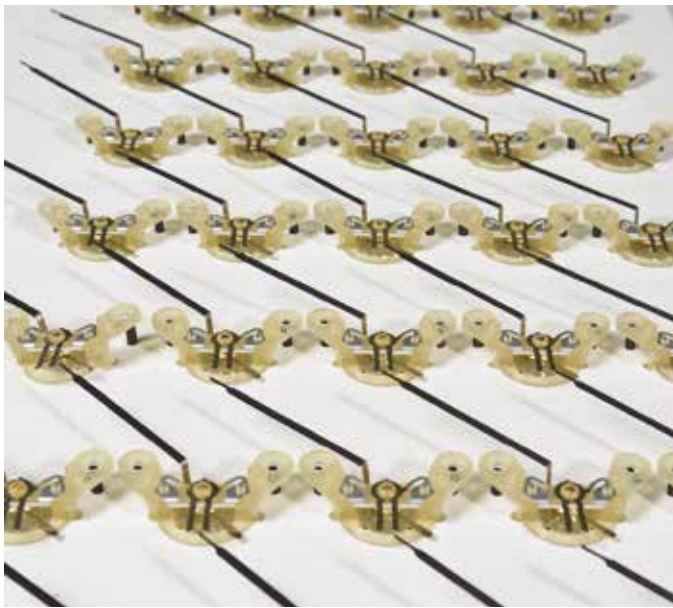
2 Mains and limit monitoring

1 Measuring transducers

Notice

Lined writing area for notices or comments.

Precision and service are the measure of all things





MÜLLER + ZIEGLER GmbH

Elektrische Messgeräte
Industriestraße 23
91710 Gunzenhausen, Germany
Phone: +49 9831 5004-0
Mo - Thu 7 - 12 / 13 - 16 H
and Fr 7 - 12 H
Fax: +49 9831 5004-20
info@mueller-ziegler.de
www.mueller-ziegler.de

A member company of:

LÜBERG
Technologieholding GmbH
Marienstr. 20, 90402 Nürnberg
www.lueberg-technologie.de



made in germany

