

## Hardened and Ground Compression Plate, QC fitting



### Description

Hardened and ground compression plates have a smooth, scratch-proof surface ideal for compression testing on samples that could damage a standard compression plate, such as metal springs.

### Applications

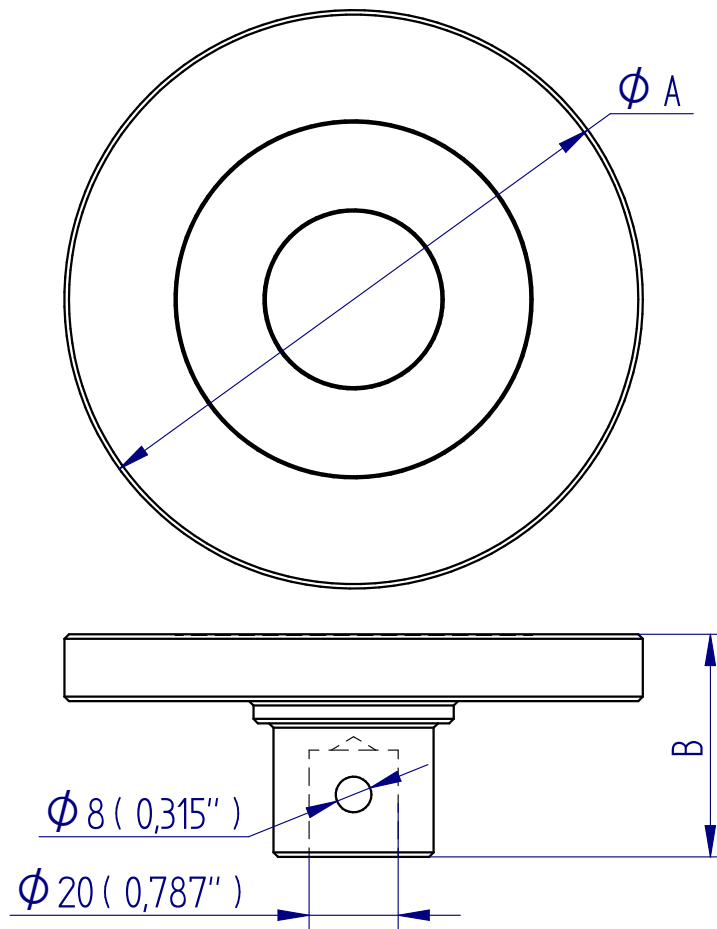
Used for compression testing of:

- springs
- bottles
- cans
- polymer foams

### Specifications

Part No.	Load Capacity			Post Ø	Diameter (ØA)		Height (B)		Weight	
	5 kN	500 kgf	1100 lbf		130 mm	5.12"	51 mm	2.01"	3.2 kg	7.05 lb
432-480	5 kN	500 kgf	1100 lbf	QC20	50 mm	1.97"	54 mm	2.13"	—	—

## Dimensions mm (inch)



FS 58553

DISTRIBUTOR STAMP

DS-1001-01

Mecmesin reserves the right to alter equipment specifications without prior notice. E&OE

### Head Office Mecmesin Limited

w: [www.mecmesin.com](http://www.mecmesin.com)  
e: [sales@mecmesin.com](mailto:sales@mecmesin.com)

### North America Mecmesin Corporation

w: [www.mecmesincorp.com](http://www.mecmesincorp.com)  
e: [info@mecmesincorp.com](mailto:info@mecmesincorp.com)

### France Mecmesin France

w: [www.mecmesin.fr](http://www.mecmesin.fr)  
e: [contact@mecmesin.fr](mailto:contact@mecmesin.fr)

### Asia Mecmesin Asia Co., Ltd

w: [www.mecmesinasia.com](http://www.mecmesinasia.com)  
e: [sales@mecmesinasia.com](mailto:sales@mecmesinasia.com)

### Germany Mecmesin GmbH

w: [www.mecmesin.de](http://www.mecmesin.de)  
e: [info@mecmesin.de](mailto:info@mecmesin.de)

### China Mecmesin (Shanghai) Pte Ltd

w: [www.mecmesin.cn](http://www.mecmesin.cn)  
e: [sales@mecmesin.cn](mailto:sales@mecmesin.cn)